

SHARP[®]

PN-L401C

LCD MONITOR
MONITEUR LCD
MONITOR LCD

SETUP MANUAL
MANUEL D'INSTALLATION
MANUAL DE INSTALACIÓN

ENGLISH

FRANÇAIS

ESPAÑOL

HDMI

ENGLISH E1
FRANÇAIS..... F1
ESPAÑOL S1

IMPORTANT:

To aid reporting in case of loss or theft, please record the product's model and serial numbers in the space provided. The numbers are located in the rear of the product.

Model No.:

Serial No.:

U.S.A. ONLY



Products that have earned the ENERGY STAR[®] are designed to protect the environment through superior energy efficiency.

Les produits labellisés ENERGY STAR[®] sont conçus pour protéger l'environnement par un rendement énergétique supérieur.

Los Productos que han conseguido el ENERGY STAR[®] están diseñados para proteger el medio ambiente a través de una mejor eficiencia en el consumo de energía.

Contents

[ENGLISH]



IMPORTANT INFORMATION.....	1	Preparing the Remote Control Unit.....	5
DEAR SHARP CUSTOMER.....	1	Connections	6
SAFETY PRECAUTIONS.....	2	Turning Power On/Off.....	7
SAFETY INSTRUCTION	3	Specifications	8
MOUNTING PRECAUTIONS	4	Mounting Precautions	
Supplied Components.....	5	(For SHARP dealers and service engineers).....	9

ENGLISH

Read the manuals in the provided CD-ROM. (Adobe Acrobat Reader is required to view the manuals.)

IMPORTANT INFORMATION

WARNING: TO REDUCE THE RISK OF FIRE OR ELECTRIC SHOCK, DO NOT EXPOSE THIS PRODUCT TO RAIN OR MOISTURE.

	CAUTION RISK OF ELECTRIC SHOCK DO NOT OPEN	
CAUTION: TO REDUCE THE RISK OF ELECTRIC SHOCK, DO NOT REMOVE COVER. NO USER-SERVICEABLE PARTS INSIDE. REFER SERVICING TO QUALIFIED SERVICE PERSONNEL.		



The lightning flash with arrowhead symbol, within a triangle, is intended to alert the user to the presence of uninsulated "dangerous voltage" within the product's enclosure that may be of sufficient magnitude to constitute a risk of electric shock to persons.



The exclamation point within a triangle is intended to alert the user to the presence of important operating and maintenance (servicing) instructions in the literature accompanying the product.

WARNING:

FCC Regulations state that any unauthorized changes or modifications to this equipment not expressly approved by the manufacturer could void the user's authority to operate this equipment.

NOTE:

This equipment has been tested and found to comply with the limits for Class A digital device, pursuant to Part 15 of the FCC Rules. These limits are designed to provide reasonable protection against harmful interference when the equipment is operated in a commercial environment. This equipment generates, uses, and can radiate radio frequency energy and, if not installed and used in accordance with the instruction manual, may cause harmful interference to radio communications. Operation of this equipment in a residential area is likely to cause harmful interference in which case the user will be required to correct the interference at his own expense.

U.S.A. ONLY

DEAR SHARP CUSTOMER

Thank you for your purchase of a SHARP LCD product. To ensure safety and many years of trouble-free operation of your product, please read the Safety Precautions carefully before using this product.

SAFETY PRECAUTIONS

Electricity is used to perform many useful functions, but it can also cause personal injuries and property damage if improperly handled. This product has been engineered and manufactured with the highest priority on safety. However, improper use can result in electric shock and/or fire. In order to prevent potential danger, please observe the following instructions when installing, operating and cleaning the product. To ensure your safety and prolong the service life of your LCD product, please read the following precautions carefully before using the product.

1. Read instructions — All operating instructions must be read and understood before the product is operated.
2. Keep this manual in a safe place — These safety and operating instructions must be kept in a safe place for future reference.
3. Observe warnings — All warnings on the product and in the instructions must be observed closely.
4. Follow instructions — All operating instructions must be followed.
5. Cleaning — Unplug the power cord from the AC outlet before cleaning the product. Use a dry cloth to clean the product. Do not use liquid cleaners or aerosol cleaners. Do not use dirty cloths. Doing so may damage the product.
6. Attachments — Do not use attachments not recommended by the manufacturer. Use of inadequate attachments can result in accidents.
7. Water and moisture — Do not use the product near water. Do not install the product in a place where water may splash onto it. Be careful of equipment which drains water such as an air-conditioner.
8. Ventilation — The vents and other openings in the cabinet are designed for ventilation. Do not cover or block these vents and openings since insufficient ventilation can cause overheating and/or shorten the life of the product. Do not place the product on a sofa, rug or other similar surface, since they can block ventilation openings. Do not place the product in an enclosed place such as a bookcase or rack, unless proper ventilation is provided or the manufacturer's instructions are followed.
9. Power cord protection — The power cords must be routed properly to prevent people from stepping on them or objects from resting on them.
10. The screen used in this product is made of glass. Therefore, it can break when the product is dropped or applied with impact. Be careful not to be injured by broken glass pieces in case the screen breaks.
11. Overloading — Do not overload AC outlets or extension cords. Overloading can cause fire or electric shock.
12. Entering of objects and liquids — Never insert an object into the product through vents or openings. High voltage flows in the product, and inserting an object can cause electric shock and/or short internal parts.
For the same reason, do not spill water or liquid on the product.
13. Servicing — Do not attempt to service the product yourself. Removing covers can expose you to high voltage and other dangerous conditions. Request a qualified service person to perform servicing.
14. Repair — If any of the following conditions occurs, unplug the power cord from the AC outlet, and request a qualified service person to perform repairs.
 - a. When the power cord or plug is damaged.
 - b. When a liquid was spilled on the product or when objects have fallen into the product.
 - c. When the product has been exposed to rain or water.
 - d. When the product does not operate properly as described in the operating instructions.
Do not touch the controls other than those described in the operating instructions. Improper adjustment of controls not described in the instructions can cause damage, which often requires extensive adjustment work by a qualified technician.
 - e. When the product has been dropped or damaged.
 - f. When the product displays an abnormal condition. Any noticeable abnormality in the product indicates that the product needs servicing.
15. Replacement parts — In case the product needs replacement parts, make sure that the service person uses replacement parts specified by the manufacturer, or those with the same characteristics and performance as the original parts. Use of unauthorized parts can result in fire, electric shock and/or other danger.
16. Safety checks — Upon completion of service or repair work, request the service technician to perform safety checks to ensure that the product is in proper operating condition.
17. Wall mounting — When mounting the product on a wall, be sure to install the product according to the method recommended by the manufacturer.
18. Heat sources — Keep the product away from heat sources such as radiators, heaters, stoves and other heat-generating products (including amplifiers).
19. Batteries — Incorrect use of batteries may cause the batteries to burst or ignite. A leaky battery may corrode the equipment, dirty your hands or spoil your clothing. In order to avoid these problems, make sure to observe the precautions below:
 - Use the specified batteries only.
 - Install the batteries with due attention to the plus (+) and minus (-) sides of the batteries according to the instructions in the compartment.
 - Do not mix old and new batteries.
 - Do not mix batteries of different types. Voltage specifications of batteries of the same shape may vary.
 - Replace an exhausted battery with a new one promptly.
 - If you will not use the remote control for a long time, remove the batteries.
 - If leaked battery fluid gets on your skin or clothing, rinse immediately and thoroughly. If it gets into your eye, bathe your eye well rather than rubbing and seek medical treatment immediately. Leaked battery fluid that gets into your eye or your clothing may cause a skin irritation or damage your eye.
20. Usage of the monitor must not be accompanied by fatal risks or dangers that, could lead directly to death, personal injury, severe physical damage or other loss, including nuclear reaction control in nuclear facility, medical life support system, and missile launch control in a weapon system.



21. Do not stay in contact with the parts of the product that become hot for long periods of time. Doing so may result in low-temperature burns.
22. Do not modify this product.

WARNING:

This is a Class A product. In a domestic environment this product may cause radio interference in which case the user may be required to take adequate measures.
An apparatus with CLASS I construction shall be connected to a MAIN socket outlet with a protective earthing connection.

To maintain compliance with EMC regulations, use shielded cables to connect to the following terminals: HDMI input terminal, D-sub input terminal, DisplayPort input terminal and RS-232C input terminal.

If a monitor is not positioned in a sufficiently stable location, it can be potentially hazardous due to falling. Many injuries, particularly to children, can be avoided by taking simple precautions such as:

- Using fixing devices like wall mount brackets recommended by the manufacturer.
- Only using furniture that can safely support the monitor.
- Ensuring the monitor is not overhanging the edge of the supporting furniture.
- Not placing the monitor on tall furniture (for example, cupboards or bookcases) without anchoring both the furniture and the monitor to a suitable support.
- Not standing the monitors on cloth or other materials placed between the monitor and supporting furniture.
- Educating children about the dangers of climbing on furniture to reach the monitor or its controls.
- This equipment is not suitable for use in locations where children are likely to be present unsupervised.

Especially for child safety

- Don't allow children to climb on or play with the monitor.
- Don't place the monitor on furniture that can easily be used as steps, such as a chest of drawers.
- Remember that children can become excited while watching a program, especially on a "larger than life" monitor. Care should be taken to place or install the monitor where it cannot be pushed, pulled over, or knocked down.
- Care should be taken to route all cords and cables connected to the monitor so that they cannot be pulled or grabbed by curious children.

SAFETY INSTRUCTION

- Do not use the monitor where there is a lot of dust, where humidity is high, or where the monitor may come into contact with oil or steam. Do not use in an environment where there are corrosive gases (sulfur dioxide, hydrogen sulfide, nitrogen dioxide, chlorine, ammonia, ozone, etc.). As this could lead to fire.
- Ensure that the monitor does not come into contact with water or other fluids. Ensure that no objects such as paper clips or pins enter the monitor as this could lead to fire or electric shock.
- Do not place the monitor on top of unstable objects or in unsafe places. Do not allow the monitor to receive strong shocks or to strongly vibrate. Causing the monitor to fall or topple over may damage it.
- Do not use the monitor near heating equipment or in places where there is likelihood of high temperature, as this may lead to generation of excessive heat and outbreak of fire.
- Do not use the monitor in places where it may be exposed to direct sunlight. Risk of cabinet deformation and failure if the monitor is used in direct sunlight.
- Please be sure to constantly remove dust and garbage that has attached to the ventilation opening. If dust collects in the ventilation opening or the inside of the monitor, it may lead to excessive heat, outbreak of fire, or malfunction. Please request a cleaning of the inside of the monitor from an authorized SHARP servicing dealer or service center.

- The AC outlet shall be installed near the equipment and shall be easily accessible.
- Do not operate the screen with a hard or pointed object such as a fingernail or pencil.

The Power Cord

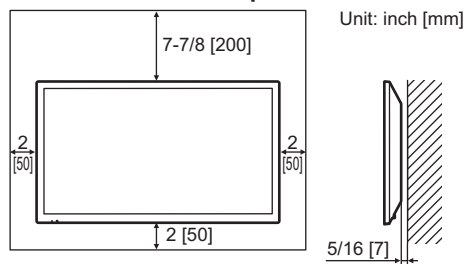
- Use only the power cord supplied with the monitor.
- Do not damage the power cord nor place heavy objects on it, stretch it or over bend it. Also, do not add extension cords. Damage to the cord may result in fire or electric shock.
- Do not use the power cord with a power tap. Adding an extension cord may lead to fire as a result of overheating.
- Do not remove or insert the power plug with wet hands. Doing so could result in electric shock.
- Unplug the power cord if it is not used for a long time.
- Do not attempt to repair the power cord if it is broken or malfunctioning. Refer the servicing to the service representative.



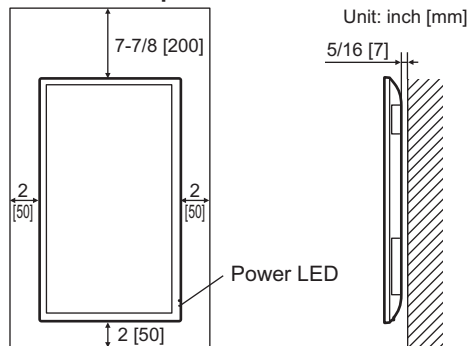
MOUNTING PRECAUTIONS

- This product is for use indoors.
- When using a commercially available stand or mounting bracket, use a stand or mounting bracket that comply with VESA specifications.
- Since the monitor is heavy, consult your dealer before installing, removing or moving the monitor.
- Mounting the monitor on the wall requires special expertise and the work must be performed by an authorized SHARP dealer. You should never attempt to perform any of this work yourself. Our company will bear no responsibility for accidents or injuries caused by improper mounting or mishandling.
- Use the monitor with the surface perpendicular to a level surface. If necessary, the monitor may be tilted up to 20 degrees upward.
- When moving the monitor, be sure to hold it around the periphery. Do not grasp the screen or tray. This may cause product damage, failure, or injury.
- This monitor should be used at an ambient temperature between 41°F (5°C) and 95°F (35°C). Provide enough space around the monitor to prevent heat from accumulating inside.

For the monitor in landscape orientation

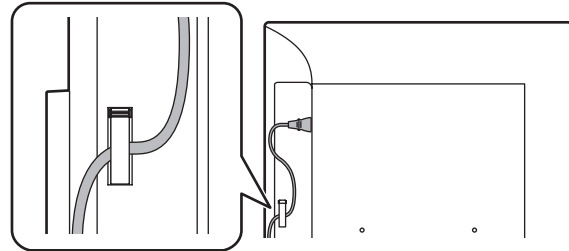


For the monitor in portrait orientation

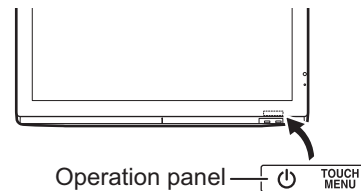


- If it is difficult to provide sufficient space for any reason such as the installation of the monitor inside a housing, or if the ambient temperature may be outside of the range of 41°F (5°C) to 95°F (35°C), install a fan or take other measures to keep the ambient temperature within the required range.
- When installing two or more monitor units side-by-side, provide space of at least 3/16 inch (5 mm) around them to prevent stress on the adjacent unit or structure due to thermal expansion.
- Do not block any ventilation openings. If the temperature inside the monitor rises, this could lead to a malfunction.
- Do not place the monitor on a device which generates heat.

- Adhere to the following when installing the monitor in its portrait orientation. Failing to adhere to the following may cause malfunctions.
 - Install the monitor such that the power LED is located on the bottom side.
 - Set the PORTRAIT/LANDSCAPE INSTALL on the MONITOR menu to PORTRAIT. (See OPERATION MANUAL.)
 - Be sure to clamp the power cord (supplied) by using the supplied cable clamp (affixing type). When clamping the power cord, take care not to stress the terminal of the power cord. Do not bend the power cord excessively.



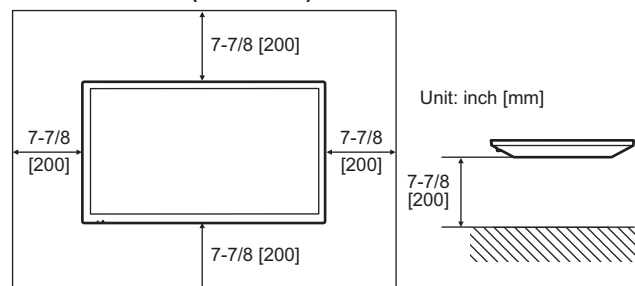
- Use the supplied vertical sticker when you install the monitor in portrait orientation.



Flat installation

- When using the monitor laying flat on a surface (when the monitor is tilted 20 degrees or more upward from the perpendicular in relation to a level surface), consult an authorized SHARP dealer because there are some specific mounting conditions. Adhere to the following. Failing to adhere to the following may cause malfunctions.
 - Set HORIZONTAL INSTALLATION in the MONITOR menu to UPWARD. (See OPERATION MANUAL.)
 - Use the monitor at the ambient temperature within the range of 41°F (5°C) to 86°F (30°C). Provide 7-7/8 inch (200 mm) or more space between the monitor and the floor or other mounting surfaces and surrounding objects to prevent heat from accumulating inside. If it is difficult to provide sufficient space or if the ambient temperature may be outside of the range of 41°F (5°C) to 86°F (30°C), install a fan or take other measures to keep the ambient temperature within the required range.
 - Do not press hard on the LCD panel or otherwise subject it to impacts.

Flat installation (UPWARD)



Supplied Components

If any component should be missing, please contact your dealer.

- | | |
|--|---|
| <input type="checkbox"/> Liquid Crystal Display Monitor: 1 | <input type="checkbox"/> Touch pen: 1 |
| <input type="checkbox"/> Remote control unit: 1 | <input type="checkbox"/> Tray: 1 |
| <input type="checkbox"/> Cable clamp: 3 | <input type="checkbox"/> Tray mounting screw/
camera mount screw (M3) : 2 each |
| <input type="checkbox"/> Power cord: 1 | <input type="checkbox"/> USB cable: 1 |
| <input type="checkbox"/> Remote control unit battery
(R-03 ("AAA" size)): 2 | <input type="checkbox"/> Camera mount: 1 |
| <input type="checkbox"/> CD-ROM (Utility Disk): 1 | <input type="checkbox"/> Camera screw (inch thread): 1 |
| <input type="checkbox"/> SHARP Display Connect License: 1 | <input type="checkbox"/> Logo sticker: 1 |
| <input type="checkbox"/> Setup Manual (this manual): 1 | <input type="checkbox"/> Vertical sticker (Operation panel): 1 |

Stand

- Stand rod: 2
- Stand leg: 1
- VESA angle: 1
- Stand mounting screw (M3/M4/M6): 4 each

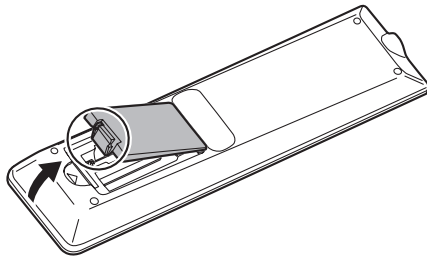
ENGLISH

- * SHARP Corporation holds authorship rights to the Utility Disk program. Do not reproduce it without permission.
- * For environmental protection!
Do not dispose of batteries in household waste. Follow the disposal instructions for your area.

Preparing the Remote Control Unit

Installing the batteries

1. Place your finger on the part marked with the ▲, and then pull the cover off.

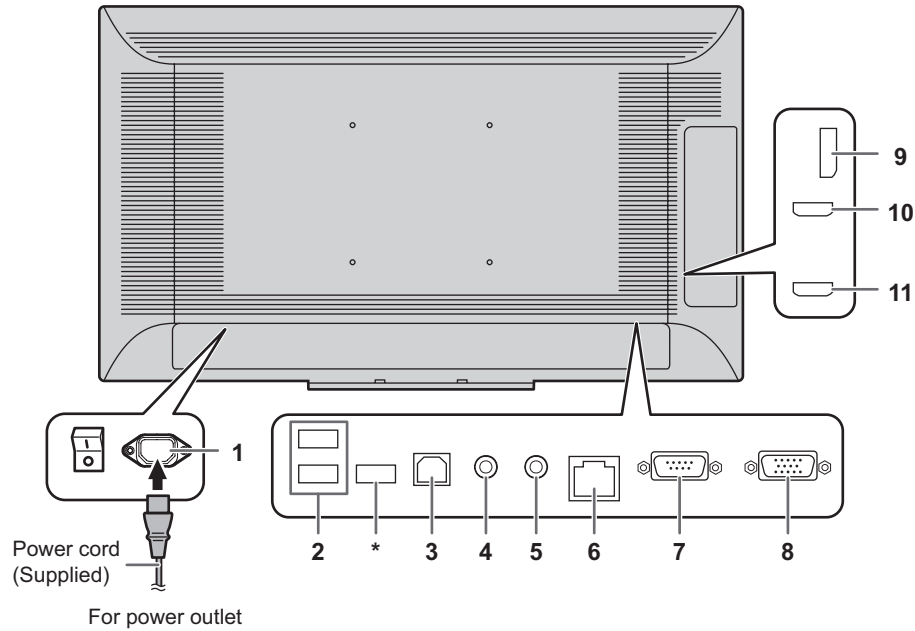


2. See the instructions in the compartment and put in the batteries (R-03 ("AAA" size) x 2) with their plus (+) and minus (-) sides oriented correctly.
3. Close the cover.

Connections

! Caution

- Be sure to turn off the main power switch and disconnect the plug from the power outlet before connecting/disconnecting cables. Also, read the manual of the equipment to be connected.
- Be careful not to confuse the input terminal with the output terminal when connecting cables. Accidentally reversing cables connected to the input and output terminals may cause malfunctions and the other problems.



1. AC input terminal

2. USB port

3. USB port (for touch panel)

4. Audio output terminal

5. Audio input terminal

6. LAN terminal

7. RS-232C input terminal

8. D-sub input terminal

9. DisplayPort input terminal

10. HDMI1 input terminal

11. HDMI2 input terminal

* Terminal for firmware updating
Normally not used.

TIPS

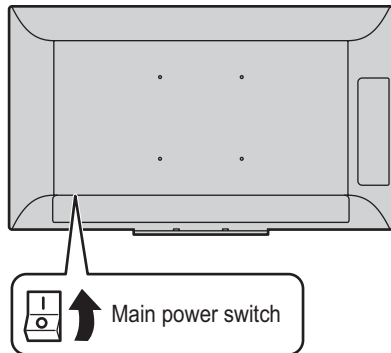
- To use the touch panel, connect the USB cable (supplied) to your computer.
- Pen Software can be installed from the supplied CD-ROM.
- When the Information Display Downloader is installed, you can check and download the most recent versions of the software programs.
- To install and use the software, see the manual for each.
- Download the setup program for the SHARP Display Connect and Touch Viewer with the Information Display Downloader.
- The terms HDMI and HDMI High-Definition Multimedia Interface, and the HDMI Logo are trademarks or registered trademarks of HDMI Licensing, LLC in the United States and other countries.
- DisplayPort is a registered trademark of Video Electronics Standards Association.
- Adobe, Acrobat, and Acrobat Reader are either registered trademarks or trademarks of Adobe Systems Incorporated in the United States and/or other countries.

Turning Power On/Off

! Caution

- When all connections are complete, turn on the power.
- Turn on the monitor first before turning on the computer or playback device.
- When switching the main power switch or the POWER button off and back on, always wait for at least 5 seconds. A short interval may result in a malfunction.

Turning on the main power

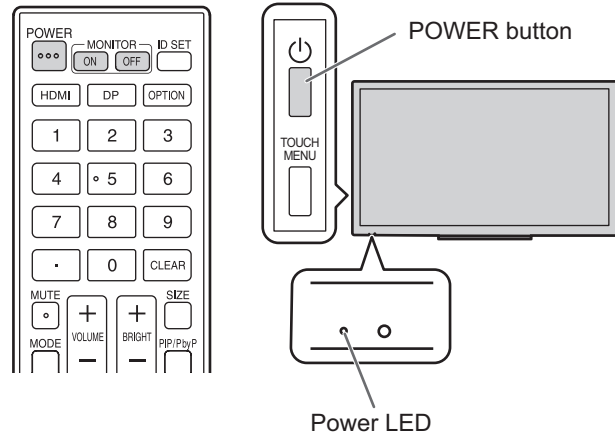


! Caution

- The main power must be turned on/off with the main power switch. Do not connect/disconnect the power cord or turn the breaker on/off while the main power switch is on.
- For a complete electrical disconnection, pull out the main plug.

Turning power on/off

Press the POWER button to turn the power ON/OFF. You can also turn the power ON/OFF by pressing the MONITOR ON button/MONITOR OFF button on the remote control unit.



Status	Status of the monitor
Green lit	Power on
Orange lit	Power off (Standby mode)
Green flashing	Input signal waiting mode

TIPS

- When the main power switch is off, the monitor cannot be turned on.

Specifications

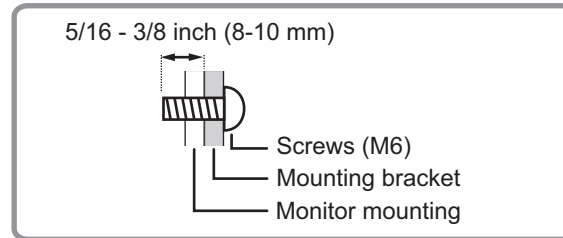
Model	PN-L401C
Power requirement	AC 100 V - 240 V, 1.0 A, 50/60 Hz
Operating temperature *	41°F to 95°F (5°C to 35°C)
Operating humidity	20% to 80% (no condensation)
Power consumption (Maximum)	89 W
Dimensions (excluding protrusions) inch (mm)	Approx. 36-15/16 (W) x 2-9/16 (D) x 21-1/2 (H) (939 x 65 x 546)
Weight lbs. (kg)	Approx. 38.6 (17.5)

* When using the monitor laying flat on a surface (when the monitor is tilted more than 20 degrees upward from the perpendicular in relation to a level surface), use the monitor at a temperature between 41°F (5°C) and 86°F (30°C).
Temperature condition may change when using the monitor together with the optional equipments recommended by SHARP. In such cases, please check the temperature condition specified by the optional equipments.

As a part of our policy of continuous improvement, SHARP reserves the right to make design and specification changes for product improvement without prior notice. The performance specification figures indicated are nominal values of production units. There may be some deviations from these values in individual units.

Mounting Precautions (For SHARP dealers and service engineers)

- When installing, removing or moving the monitor, ensure that this is carried out by at least 2 people.
- Be sure to use a wall-mount bracket designed or designated for mounting the monitor.
- This monitor is designed to be installed on a concrete wall or pillar. Reinforced work might be necessary for some materials such as plaster / thin plastic board / wood before starting installation.
This monitor and bracket must be installed on a wall which can endure at least 4 times or more the weight of the monitor. Install by the most suitable method for the material and the structure.
- To attach a VESA-compliant mounting bracket, use M6 screws that are 5/16 inch (8 mm) to 3/8 inch (10 mm) longer than the thickness of the mounting bracket.

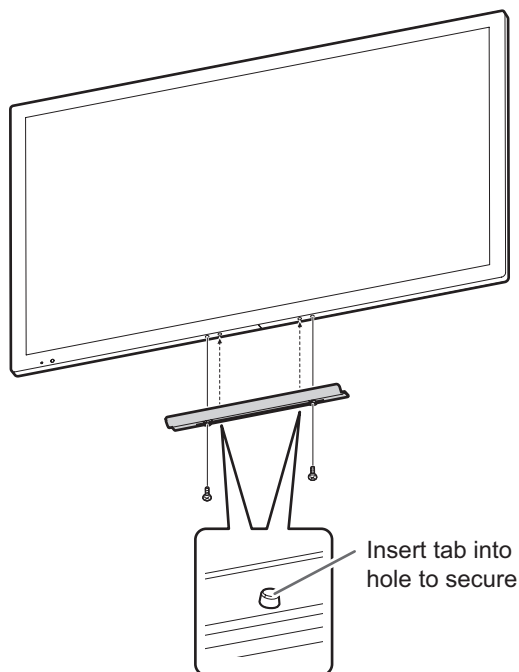


- Do not use an impact driver.
- After mounting, please carefully ensure the monitor is secure, and not able to come loose from the wall or mount.
- Do not use any screw holes other than VESA holes for installation.
- When moving the monitor, be sure to hold it around the periphery. Do not grasp the screen or tray. This may cause product damage, failure, or injury.
- If you need to temporarily place the monitor on a table or other surface during installation, spread a thick soft cloth on the table to prevent damage to the screen and table.
- Prior to repacking or removal, remove the tray and speaker covers.

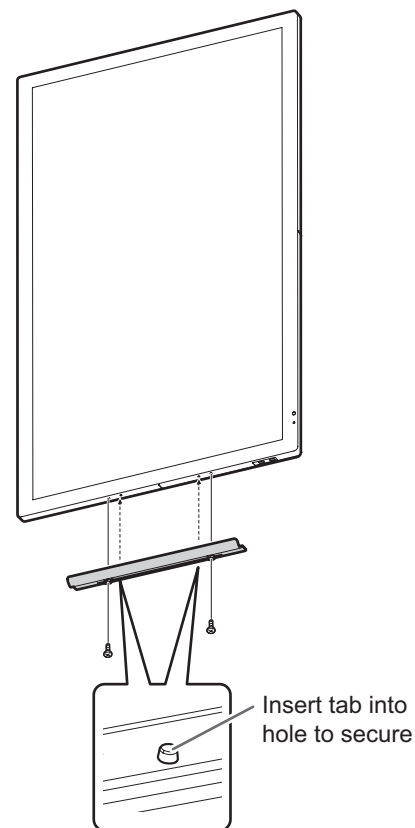
■Attaching the Tray

Secure the tray using 2 tray mounting screws (M3) (supplied).

Landscape orientation



Portrait orientation



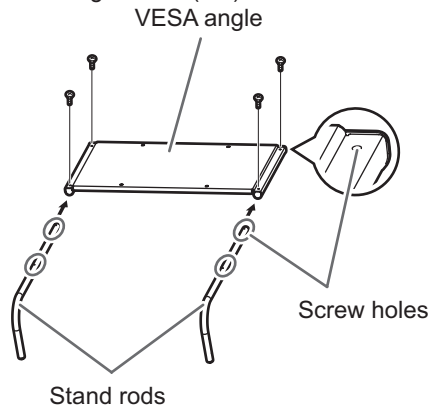
■ Attach the stand to the monitor

! Caution

- The stand is for use in landscape orientation. It cannot be used for portrait orientation.

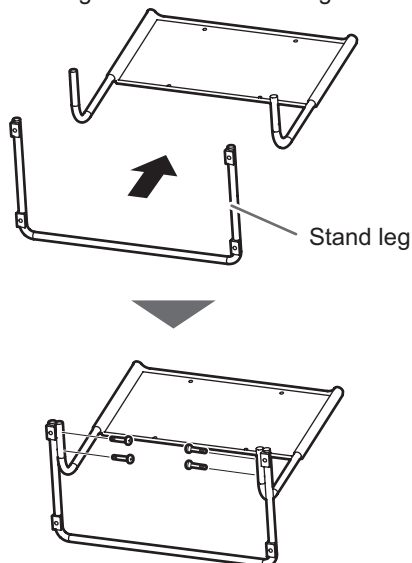
1. Attach the stand rods (x2) to the VESA angle.

Put the VESA angle with the screw holes face up as below. Attach the stand rods to the VESA angle, and secure it with 4 stand mounting screws (M3).



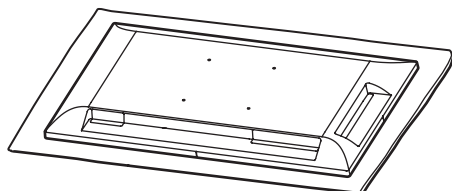
2. Attach the stand leg to the stand rods.

Flip the VESA angle and secure the stand rods and the ends of stand leg with 4 stand mounting screws (M4).



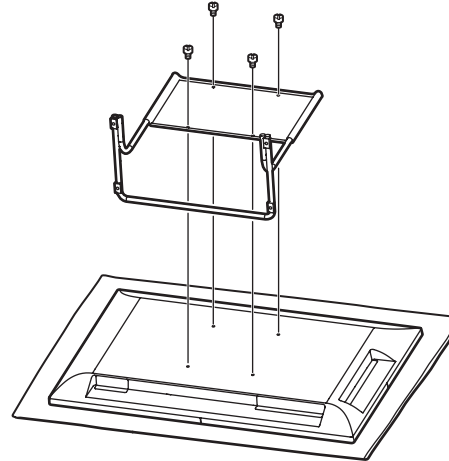
3. Spread a thick, soft cloth (blanket, etc.) that will prevent damage to the LCD panel on a stable flat surface where the entire monitor can be placed, and place the monitor with the LCD panel face down on the cloth.

Place so that the bottom of the monitor comes to the edge of the table.



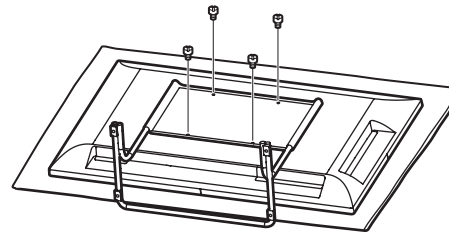
4. Attach the stand to the monitor.

Secure from the back with 4 stand mounting screws (M6).



■ Disassembling the stand

1. Spread a thick, soft cloth (blanket, etc.) that will prevent damage to the LCD panel on a stable flat surface where the entire monitor can be placed, and place the monitor with the LCD panel face down on the cloth.
2. Remove the screws(x4) that fasten the attachment plate, and remove the attachment plate.



3. Reverse the stand assembly procedure to disassemble the stand.



Table des matières

[FRANÇAIS]





INFORMATIONS IMPORTANTES	1	Préparation de la télécommande	5
CHER CLIENT.....	1	Connexions	6
PRÉCAUTIONS DE SÉCURITÉ	2	Mise sous tension et hors tension.....	7
MESURES DE SÉCURITÉ.....	3	Caractéristiques.....	8
PRÉCAUTIONS POUR LE MONTAGE.....	4	Précautions pour le montage	
Composants fournis.....	5	(À l'attention des revendeurs et techniciens SHARP) ...	9

Lisez les manuels se trouvant dans le CD-ROM fourni. (Adobe Acrobat Reader est nécessaire pour pouvoir visualiser les manuels.)

FRANÇAIS

INFORMATIONS IMPORTANTES

AVERTISSEMENT : POUR RÉDUIRE LE RISQUE D'INCENDIE OU DE DÉCHARGE ÉLECTRIQUE, NE PAS EXPOSER CE PRODUIT À LA PLUIE OU À LA POUSSIÈRE.

	ATTENTION RISQUE DE DÉCHARGE ÉLECTRIQUE NE PAS OUVRIR		 <p>Le symbole représenté par l'éclair à la tête en pointe de flèche à l'intérieur d'un triangle, est placé pour alerter l'utilisateur de la présence d'une "tension dangereuse" non isolée à l'intérieur du produit. Cette tension peut avoir une valeur suffisante pour constituer un risque d'électrocution à toute personne.</p>
<p>ATTENTION : POUR RÉDUIRE LE RISQUE DE DÉCHARGE ÉLECTRIQUE, NE PAS RETIRER LE COUVERCLE. IL N'Y A AUCUNE PIÈCE RÉPARABLE PAR L'UTILISATEUR À L'INTÉRIEUR. AVERTIR LE PERSONNEL DE SERVICE QUALIFIÉ POUR TOUTE PROCÉDURE D'ENTRETIEN.</p>			 <p>Le point d'exclamation à l'intérieur d'un triangle est placé pour alerter l'utilisateur de la présence d'une procédure particulière ou d'une procédure de maintenance (entretien) importante dans les manuels accompagnant le produit.</p>

AVERTISSEMENT :

Les lois FCC établissent que tout changement ou modification non-autorisés de cet équipement qui n'ont pas été expressément approuvés par le producteur, constituent un motif d'annulation des droits de l'utilisateur d'utiliser cet appareil.

REMARQUE :

Cet équipement, après les tests, a été jugé conforme aux limites d'un équipement numérique de Classe A, conformément à la section 15 de la réglementation FCC. Ces limites sont établies pour fournir une protection raisonnable contre les interférences nuisibles lorsque l'équipement est utilisé dans un environnement commercial. Cet équipement produit, utilise et peut rayonner de l'énergie sous forme de radiofréquences et, s'il n'est pas installé et utilisé conformément aux instructions du mode d'emploi, peut provoquer des interférences nuisibles aux communications par radio. Le fonctionnement de cet équipement dans une zone résidentielle peut vraisemblablement provoquer des interférences nuisibles, auquel cas l'utilisateur est prié de corriger ces interférences à ses propres frais.

ÉTATS-UNIS SEULEMENT

CHER CLIENT

Nous vous remercions d'avoir acheté cet appareil SHARP à écran LCD. Afin de garantir le bon fonctionnement de ce moniteur, nous vous conseillons de lire attentivement cette brochure et de la conserver pour toute référence ultérieure.





PRÉCAUTIONS DE SÉCURITÉ

L'électricité remplit de nombreuses fonctions utiles, mais elle peut provoquer des blessures et des dégâts matériels si elle n'est pas utilisée correctement. Cet appareil a été conçu et fabriqué en attachant la plus grande importance à la sécurité. Cependant, une utilisation inadéquate peut entraîner une décharge électrique et/ou un incendie. Afin d'éviter tout danger potentiel, veuillez respecter les consignes suivantes lors de l'installation, de l'utilisation et du nettoyage de l'appareil. Afin d'assurer votre propre sécurité et de prolonger la durée de service de votre moniteur LCD, veuillez lire attentivement les précautions ci-dessous avant d'utiliser l'appareil.

1. Lisez ces explications — Vous devez lire et comprendre toutes les informations relatives au fonctionnement de l'appareil avant de l'utiliser.
2. Conservez cette brochure dans un endroit sûr — Ces explications concernant la sécurité et le fonctionnement doivent être conservées dans un endroit sûr pour vous y référer en cas de besoin.
3. Respectez les avertissements — Tous les avertissements figurant sur l'appareil et dans ce mode d'emploi doivent être strictement respectés.
4. Suivez les instructions — Toutes les explications sur le fonctionnement doivent être respectées.
5. Nettoyage — Débranchez le cordon d'alimentation au niveau de la prise du secteur avant de nettoyer l'appareil. Servez-vous d'un linge sec, et n'employez pas de détergents liquides ou en atomiseur. N'utilisez pas de linges sales. Cela risquerait d'endommager l'appareil.
6. Accessoires — N'utilisez pas d'accessoires non recommandés par le fabricant, car cela pourrait provoquer des accidents.
7. Eau et humidité — N'utilisez pas cet appareil près de l'eau. N'installez pas le produit à un endroit où il pourrait recevoir de l'eau. Évitez en particulier les emplacements sous les appareils à vidange d'eau tels que les climatiseurs.
8. Ventilation — Des ouïes et autres ouvertures sont prévues dans le coffret de l'appareil pour sa ventilation. Ne recouvrez pas et ne bouchez pas ces ouvertures car une ventilation insuffisante peut provoquer une surchauffe et réduire la durée de vie de l'appareil. Ne placez pas l'appareil sur un sofa, un tapis ou toute autre surface analogue car cela pourrait obstruer les ouvertures de ventilation. Cet appareil n'est pas conçu pour une installation encastrée; ne le placez donc pas dans un endroit fermé comme une bibliothèque ou une baie à moins qu'une ventilation adéquate ne soit prévue et que les consignes du fabricant ne soient respectées.
9. Protection du cordon d'alimentation — Faites passer les cordons d'alimentation à un endroit où ils ne seront pas écrasés ou coincés par d'autres objets.
10. L'écran utilisé dans ce produit est en verre et, par conséquent, il peut se briser si l'appareil tombe ou s'il reçoit un fort impact. Veillez à ne pas être blessé par les éclats de verre au cas où l'écran se romprait.
11. Surcharge — Ne surchargez pas les prises de courant ou les rallonges car cela peut entraîner un risque d'incendie ou d'électrocution.
12. Insertion de solides ou de liquides — N'introduisez jamais des objets par les orifices de cet appareil, car ils pourraient provoquer une électrocution et/ou un court-circuit en touchant des pièces internes sous haute tension. Pour la même raison, ne renversez jamais de l'eau ou un liquide sur l'appareil.
13. Entretien — N'essayez pas de réparer vous-même l'appareil. Le démontage des couvercles peut vous exposer à une haute tension ou à d'autres dangers. Confiez toute réparation à un personnel qualifié.
14. Réparation — Dans les cas suivants, débranchez le cordon d'alimentation au niveau de la prise secteur et demandez à un personnel qualifié d'effectuer les réparations.
 - a. Dégât sur le cordon ou la prise de courant.
 - b. Infiltration d'un liquide ou pénétration d'un objet à l'intérieur de l'appareil.
 - c. Exposition de l'appareil à la pluie ou à l'eau.
 - d. Fonctionnement anormal malgré une conformité aux explications du mode d'emploi.
Ne réglez que les commandes dont il est fait mention dans le mode d'emploi. Un réglage incorrect des autres commandes peut provoquer des dégâts qui nécessiteraient des réparations complexes par un technicien spécialisé.
 - e. Chute ou dégâts subis par l'appareil.
 - f. Tout changement notable ou situation anormale de l'appareil indique qu'une réparation est nécessaire.
15. Pièces de rechange — Lorsque des pièces doivent être remplacées, assurez-vous que le technicien a utilisé les pièces spécifiées par le fabricant ou des pièces dont les performances et les caractéristiques sont identiques. Des changements non autorisés de pièces peuvent entraîner un incendie, une électrocution et/ou d'autres dangers.
16. Contrôles de sécurité — Après une intervention d'entretien ou de réparation, demandez au technicien de procéder à un contrôle pour être sûr que l'appareil peut être utilisé en toute sécurité.
17. Installation sur paroi — Si l'appareil doit être fixé sur une paroi, installez-le en respectant la méthode recommandée par le fabricant.
18. Sources de chaleur — Tenez l'appareil à l'écart de sources de chaleur, telles que radiateurs, dispositifs de chauffage, poêles et autres appareils dégageant de la chaleur (y compris les amplificateurs).
19. Piles — Une utilisation incorrecte des piles peut les faire éclater ou prendre feu. Une pile qui fuit peut causer des corrosions dans l'équipement, des salissures aux mains ou abîmer vos vêtements. Afin d'éviter ces problèmes, assurez-vous que les précautions suivantes sont appliquées :
 - Utilisez seulement des piles prescrites.
 - Installez les piles en faisant bien attention aux polarités plus (+) et moins (-) des piles selon les instructions dans le compartiment.
 - Ne mélangez pas des piles usagées avec des neuves.
 - Ne mélangez pas des piles de différents types. Les spécifications de voltage des piles du même format peuvent varier.
 - Remplacez rapidement une pile épuisée par une nouvelle.
 - Si vous n'avez pas l'intention d'utiliser la télécommande pendant une longue période, retirez les piles.
 - Si le liquide provenant d'une pile qui fuit touche votre peau ou vos habits, rincez immédiatement et complètement les parties touchées. Si un œil est touché, faites immédiatement un bain d'œil plutôt que de le frotter et cherchez immédiatement un traitement médical. Le liquide provenant de la fuite d'une pile qui atteint votre œil ou vos habits peut causer une irritation de la peau ou des dommages à votre œil.
20. L'utilisation de ce moniteur ne doit pas entraîner des risques mortels ou des dangers qui pourraient provoquer directement la mort, des dommages corporels, des dommages physiques sévères ou d'autres destructions, y compris dans le contrôle des réactions nucléaires dans les installations nucléaires, dans le système médical de réanimation, et dans le contrôle de lancement des missiles dans les systèmes d'armes.





21. N'entrez pas en contact direct avec les parties du produit ayant chauffé pendant de longues périodes. Il pourrait en résulter des brûlures à basse température.
22. Ne modifiez pas ce produit.

AVERTISSEMENT :

Il s'agit d'un appareil de classe A. Dans un environnement résidentiel, cet appareil peut provoquer des interférences radioélectriques. Dans ce cas, il peut être demandé à l'utilisateur de prendre des mesures appropriées. Un appareil de CLASSE I doit être raccordé à une prise de courant principal par une prise de terre.

Afin de satisfaire aux normes EMC, utiliser des câbles blindés pour connecter les bornes suivantes : Borne d'entrée HDMI, borne d'entrée D-sub, bornes d'entrée DisplayPort, et borne d'entrée RS-232C.

Un moniteur placé sur un support instable est dangereux en raison des risques de chute qu'il présente. De nombreuses blessures, touchant en particulier les enfants, peuvent être évitées en prenant quelques précautions simples :

- Utiliser les dispositifs de fixation tels que les supports muraux fournis par le fabricant.
- Utiliser uniquement des meubles capables d'accueillir le moniteur en toute sécurité.
- Vérifier que le moniteur ne dépasse pas du bord du meuble sur lequel il est posé.
- Ne pas placer le moniteur sur des meubles hauts, armoires ou étagères, par exemple, sans fixer le meuble concerné et le moniteur à un support approprié.
- Ne pas intercaler de tissu ou toute autre matière entre le moniteur et le meuble sur lequel il est posé.
- Expliquer aux enfants qu'il est dangereux de grimper sur les meubles pour atteindre le moniteur ou ses boutons de commande.
- Cet équipement n'est pas destiné à être utilisé dans des endroits où il peut y avoir des enfants laissés sans surveillance.

En particulier pour la sécurité des enfants

- Ne laissez pas les enfants grimper sur ou jouer avec le moniteur.
- Ne placez pas le moniteur sur des meubles qui peuvent facilement se transformer en marches comme une commode avec tiroirs.
- Souvenez-vous que les enfants s'excitent souvent en visionnant un programme, surtout sur un moniteur « plus grand que la normale ». Il faut faire en sorte d'installer le moniteur là où il ne peut pas être poussé, tiré, ni basculé.
- Il faut faire en sorte de placer les fils et les câbles connectés au moniteur de façon à ce que des enfants curieux ne puissent pas les tirer ni les saisir.

MESURES DE SÉCURITÉ

- N'utilisez pas le moniteur dans un endroit où il y a beaucoup de poussières, où le degré d'humidité est élevé, ou encore là où il pourrait se trouver en contact avec de l'huile ou de la vapeur. Ne l'utilisez pas non plus dans un environnement contenant des gaz corrosifs (dioxyde de soufre, sulfure d'hydrogène, dioxyde d'azote, chlore, ammoniac, ozone, etc.). Cela pourrait provoquer un début d'incendie.
- Assurez-vous que le moniteur ne se trouve pas en contact avec de l'eau ou d'autres fluides. Assurez-vous qu'aucun objet tel que des agrafes et des trombones ne pénètre dans le moniteur, car cela pourrait provoquer un début d'incendie ou un choc électrique.
- N'installez pas le moniteur au dessus des objets instables ou dans des endroits peu sûrs. Faites attention que le moniteur ne reçoive pas de chocs violents ni de fortes vibrations. Provoquer la chute du moniteur ou le culbuter peut l'endommager.
- N'utilisez pas le moniteur à proximité d'un appareil de chauffage ou dans des endroits où la température est élevée, car cela pourrait conduire à un dégagement excessif de chaleur et provoquer un début d'incendie.
- N'utilisez pas le moniteur dans des endroits exposés directement à la lumière du soleil. Il y a risque de déformation et de dysfonctionnement du coffret de l'appareil si le moniteur est utilisé à la lumière directe du soleil.
- Veillez à nettoyer fréquemment la poussière et les débris accumulés sur les ouvertures de ventilation. L'accumulation de poussière sur les ouvertures de ventilation ou à l'intérieur du moniteur risque d'entraîner une surchauffe, un incendie ou un dysfonctionnement. Faites nettoyer l'intérieur du moniteur par un revendeur SHARP ou un centre de services autorisé.
- La prise de secteur doit être installée près de l'équipement et être facilement accessible.
- Ne faites pas fonctionner l'écran avec un objet rigide ou pointu tel qu'un ongle ou un crayon.

Le cordon d'alimentation

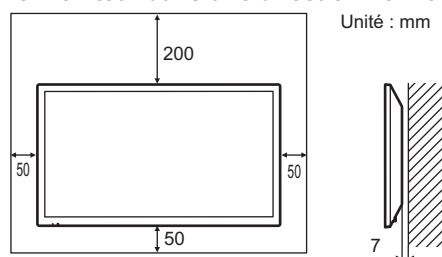
- Utilisez seulement le cordon d'alimentation fourni avec le moniteur.
- N'endommagez pas le cordon d'alimentation, ne déposez pas d'objets lourds sur le cordon d'alimentation, ne tirez pas dessus et ne le pliez pas de manière excessive. De même, n'ajoutez pas de rallonges. Tout endommagement du cordon d'alimentation peut provoquer un début d'incendie ou un choc électrique.
- Ne branchez pas le cordon d'alimentation sur une prise multiple. Ajouter une rallonge peut entraîner une surchauffe et provoquer un début d'incendie.
- Ne débranchez pas ni ne branchez la prise d'alimentation avec des mains humides. En ce faisant, vous risquez un choc électrique.
- Débranchez le cordon d'alimentation si l'équipement n'est pas utilisé pendant une longue période.
- Ne tentez pas de réparer le cordon d'alimentation s'il est coupé ou s'il ne fonctionne pas correctement. Veuillez prendre contact avec le service après-vente et suivre ses recommandations.



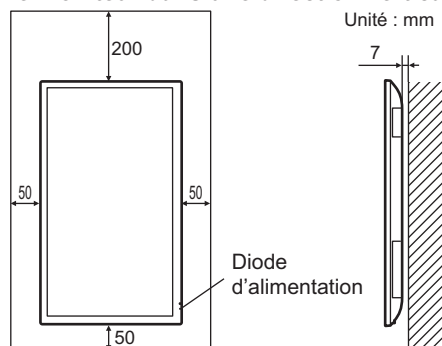
PRÉCAUTIONS POUR LE MONTAGE

- Ce produit est destiné à être utilisé en intérieur.
- Lorsque vous utilisez un support ou un support de montage disponibles dans le commerce, veillez à ce qu'ils respectent la norme VESA.
- Comme le moniteur est lourd, consultez votre revendeur avant l'installation, le démontage ou le déplacement du moniteur.
- Le montage du moniteur sur le mur demande des compétences techniques spéciales et le travail doit être fait par un revendeur agréé par SHARP. Vous ne devez jamais tenter de faire ce travail vous-même. Notre société déclinera toute responsabilité pour les accidents ou blessures causés par un montage incorrect ou par une mauvaise manipulation.
- Utilisez le moniteur perpendiculairement à la surface horizontale. Si nécessaire, vous pouvez incliner le moniteur de 20 degrés vers le haut au maximum.
- Lorsque vous déplacez le moniteur, assurez-vous de le saisir par sa périphérie. Ne le saisissez pas par l'écran ou le plateau. Ceci pourrait causer une panne, un dysfonctionnement ou une blessure.
- Ce moniteur doit être utilisé sous une température ambiante entre 5°C et 35°C. Laissez assez d'espace autour du moniteur pour empêcher que la chaleur ne s'accumule à l'intérieur.

Pour le moniteur dans une direction horizontale

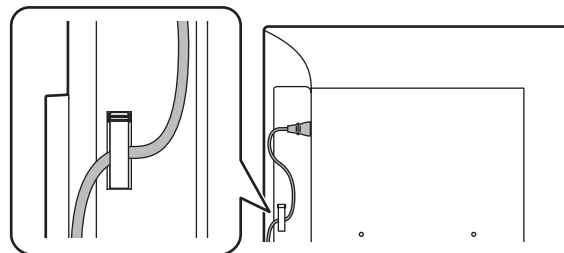


Pour le moniteur dans une direction verticale

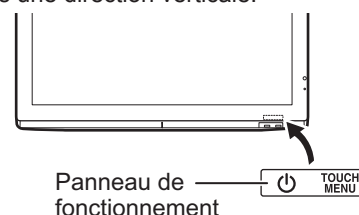


- S'il est difficile de laisser un espace suffisant pour une raison ou pour une autre (installation du moniteur dans une enceinte, par exemple) ou si la température ambiante est susceptible de dépasser la plage de valeurs prévue (de 5°C à 35°C), installez un ventilateur ou prenez d'autres mesures appropriées pour maintenir la température ambiante dans la plage de valeurs requise.
- Lors de l'installation de deux moniteurs ou plus côte à côte, laissez un espace d'au moins 5 mm autour de chacun d'eux pour éviter une pression sur l'appareil ou la structure adjacente du fait de l'expansion thermique.
- Ne bloquez pas les ouvertures de ventilation. Si la température dans le moniteur s'élève, ceci pourrait causer un dysfonctionnement.
- Ne placez le moniteur sur un équipement qui dégage de la chaleur.

- Respectez la condition suivante quand vous installez le moniteur dans la direction verticale. Le non respect de cette condition peut causer des dysfonctionnements.
 - Installez le moniteur de manière que la diode d'alimentation soit située en bas.
 - Réglez le PORTRAIT/LANDSCAPE INSTALL <INSTALL. PORTRAIT/PAYSAGE> sur PORTRAIT dans le menu MONITOR <MONITEUR>. (Voir le MODE D'EMPLOI.)
 - Assurez-vous de bloquer le cordon d'alimentation (fourni) au moyen de la pince de fixation du cordon (également fourni) de type apposition/collage. Lorsque vous accrochez le cordon d'alimentation, veillez à ne pas exercer une force excessive sur la borne du cordon d'alimentation. Ne pliez pas excessivement le cordon d'alimentation.



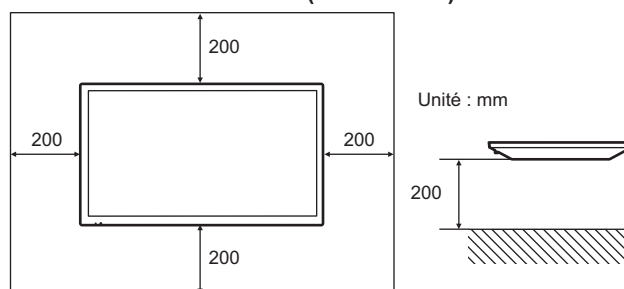
- Utilisez l'autocollant vertical quand vous installez le moniteur dans une direction verticale.



Installation à l'horizontale

- Consulter un distributeur SHARP agréé en cas d'utilisation d'un moniteur posé à plat sur une surface (quand un moniteur est basculé de 20 degrés ou plus par rapport à la perpendiculaire d'une surface horizontale), car le montage doit répondre à des conditions spécifiques. Respecter les consignes suivantes. Le non-respect des consignes qui suivent peut être responsable d'un mauvais fonctionnement.
 - Réglez HORIZONTAL INSTALLATION <INSTALLATION PAYSAGE> dans le menu MONITOR <MONITEUR> sur UPWARD <VERS LE HAUT>. (Voir le MODE D'EMPLOI.)
 - Utiliser le moniteur à la température ambiante, dans une plage de 5° C à 30° C. Laisser un espace libre d'au moins 200 mm entre le moniteur et le plancher ou toute autre surface de montage et les objets environnants pour éviter une accumulation de chaleur à l'intérieur. S'il s'avère difficile de laisser un espace suffisant ou si la température ambiante risque de se situer en dehors de la plage 5° C à 30° C, installez un ventilateur ou prenez d'autres mesures pour maintenir la température ambiante dans les limites de la plage requise.
 - Ne pas appuyer trop fort sur l'écran LCD ou lui faire subir des chocs.

Installation à l'horizontale (vers le haut)



Composants fournis

Si un composant venait à manquer, veuillez contacter votre revendeur.

- | | | |
|--|--|--|
| <input type="checkbox"/> Moniteur à cristaux liquides : 1 | <input type="checkbox"/> Stylet : 1 | Support <ul style="list-style-type: none"><input type="checkbox"/> Tige du support: 2<input type="checkbox"/> Pied du support: 1<input type="checkbox"/> Angle VESA: 1<input type="checkbox"/> Vis de montage du support (M3/M4/M6): 4 de chaque |
| <input type="checkbox"/> Télécommande : 1 | <input type="checkbox"/> Plateau : 1 | |
| <input type="checkbox"/> Serre-câble : 3 | <input type="checkbox"/> Vis de montage de plateau/
vis de la support de la caméra (M3) : 2 de chaque | |
| <input type="checkbox"/> Cordon d'alimentation : 1 | <input type="checkbox"/> Câble USB : 1 | |
| <input type="checkbox"/> Pile de la télécommande (R-03 (format "AAA")) : 2 | <input type="checkbox"/> Support de la caméra : 1 | |
| <input type="checkbox"/> CD-ROM (Utility Disc) : 1 | <input type="checkbox"/> Vis de la caméra (filetage en 2,5 cm) : 1 | |
| <input type="checkbox"/> Licence du SHARP Display Connect : 1 | <input type="checkbox"/> Autocollant avec logo : 1 | |
| <input type="checkbox"/> Manuel d'Installation (ce manuel) : 1 | <input type="checkbox"/> Autocollant vertical (Panneau de fonctionnement) : 1 | |

* SHARP Corporation détient les droits d'auteur du programme de l'Utility Disc. Veuillez ne pas le reproduire sans autorisation de la société.

* Pensez à votre environnement !

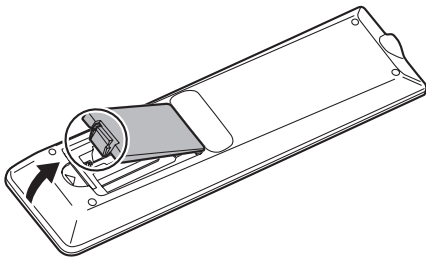
Ne pas jeter les piles avec les ordures ménagères; la mise au rebut des piles exige un traitement spécial.

FRANÇAIS

Préparation de la télécommande

Mise en place des piles

1. Placer votre doigt sur la pièce marquée d'un ▲, puis tirer pour enlever le couvercle.



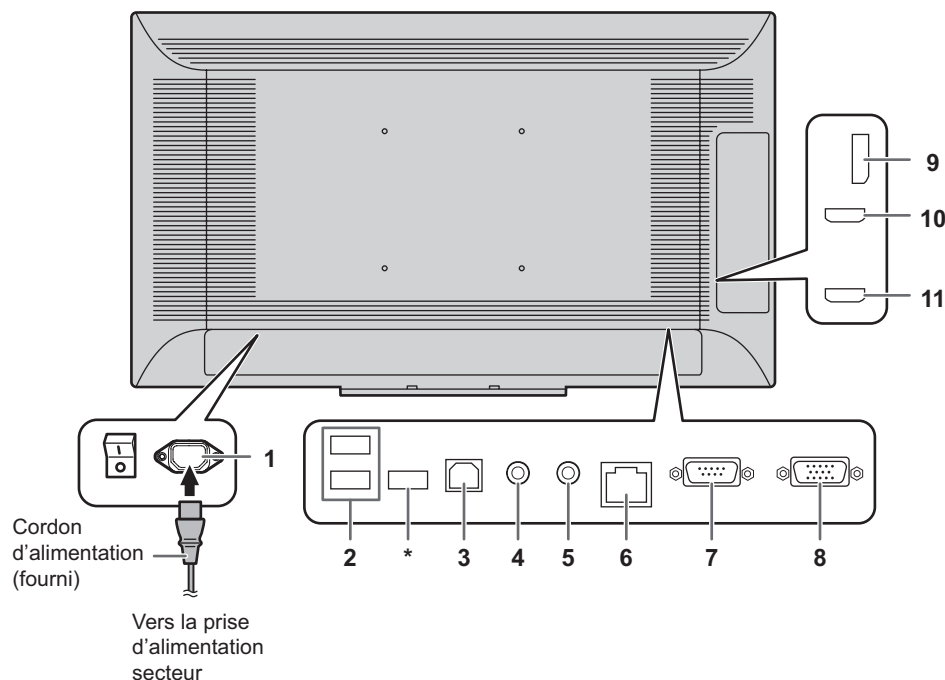
2. Reportez-vous aux instructions dans le compartiment et insérez les piles (2 piles du format R-03 ou "AAA") en veillant à respecter les polarités.

3. Refermer le capot.

Connexions

! Attention

- Veillez à bien mettre hors tension l'interrupteur principal puis débranchez la prise de l'alimentation secteur avant de connecter ou de déconnecter les câbles. Lisez également le manuel de l'équipement à connecter.
- Veillez à ne pas confondre la borne d'entrée avec la borne de sortie quand vous connectez les câbles. En confondant les câbles branchés aux bornes d'entrée et de sortie, vous pouvez causer des dysfonctionnements et d'autres problèmes.



1. Borne d'entrée secteur

2. Port USB

3. Port USB (pour écran tactile)

4. Borne de sortie audio

5. Borne d'entrée audio

6. Borne LAN

7. Borne d'entrée RS-232C

8. Borne d'entrée D-sub

9. Borne d'entrée DisplayPort

10. Borne d'entrée HDMI1

11. Borne d'entrée HDMI2

* Borne pour mise à jour du micrologiciel
Généralement non utilisé(e).

Conseils

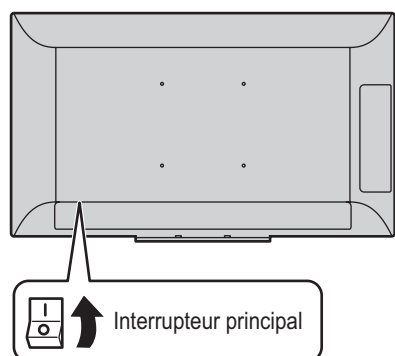
- Pour utiliser l'écran tactile, connectez-le à votre ordinateur à l'aide du câble USB fourni.
- Pen Software peut être installé à partir du CD-ROM fourni.
- Une fois le Information Display Downloader installé, vous pouvez consulter et télécharger les dernières versions des logiciels.
- Pour installer et utiliser le logiciel, reportez-vous au manuel de chacun.
- Téléchargez le programme de configuration de SHARP Display Connect et Touch Viewer à l'aide de le Information Display Downloader.
- Les termes HDMI et HDMI High Definition Multimedia Interface sont des marques commerciales ou déposées de HDMI Licensing, LLC, aux États-Unis et/ou dans d'autres pays.
- DisplayPort est une marque déposée de Video Electronics Standards Association.
- Adobe, Acrobat et Acrobat Reader sont des marques de commerce ou des marques déposées de la société Adobe Systems Incorporated aux États-Unis et/ou dans d'autres pays.

Mise sous tension et hors tension

! Attention

- Une fois tous les branchements effectués, mettez l'appareil sous tension.
- Mettez sous tension le moniteur d'abord avant de mettre sous tension l'ordinateur ou l'équipement de lecture.
- Lors de la mise hors tension et de la remise sous tension, ou lorsque vous appuyez sur l'interrupteur principal ou le bouton POWER, attendez toujours au moins 5 secondes. Un court intervalle peut entraîner un dysfonctionnement.

Mise sous tension de l'interrupteur principal

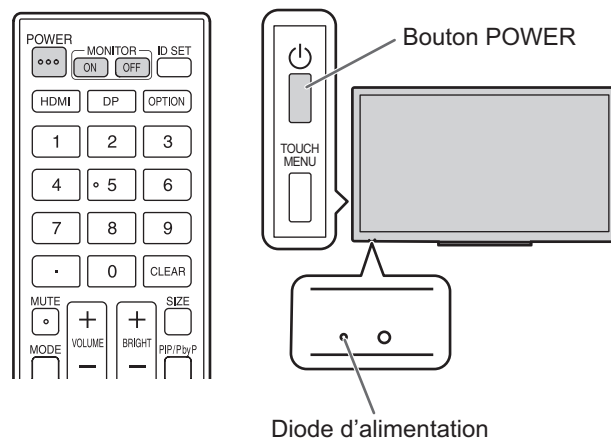


! Attention

- La mise sous/hors tension doit être effectuée à l'aide de l'interrupteur principal. Ne branchez/débranchez pas le cordon d'alimentation ou ne mettez pas le disjoncteur sous/hors tension lorsque l'interrupteur d'alimentation est en position marche.
- Pour déconnecter complètement l'alimentation électrique, retirez la fiche principale de la prise.

Mise sous/hors tension

Appuyez sur le bouton POWER pour mettre sous/hors tension. Vous pouvez également mettre sous/hors tension en appuyant sur le bouton MONITOR ON/bouton MONITOR OFF de la télécommande.



État	État du moniteur
Allumé en vert	Power en position marche
Allumé en orange	Power en position arrêt (mode Veille)
Clignotement en vert	Mode attente du signal d'entrée

Conseils

- Lorsque l'interrupteur principal est en position arrêt, il est impossible de mettre le moniteur en marche.

Caractéristiques

Modèle	PN-L401C
Alimentation	CA 100 V - 240 V, 1,0 A, 50/60 Hz
Température de fonctionnement *	5°C à 35°C
Hygrométrie de fonctionnement	20 % à 80 % (sans condensation)
Consommation électrique (Maximum)	89 W
Dimensions (à l'exclusion des éléments qui dépassent)	(mm) Environ 939 (L) x 65 (P) x 546 (H)
Poids	(kg) Environ 17,5

* Lors de l'utilisation du moniteur posé à plat sur une surface (quand le moniteur est basculé de plus de 20 degrés vers le haut, par rapport à la perpendiculaire à une surface horizontale), utiliser le moniteur à une température comprise entre 5 °C et 30 °C.
La température de fonctionnement du moniteur peut être différente de celle des accessoires additionnels recommandés par SHARP. Lorsque c'est le cas, veuillez vérifier la température de fonctionnement des accessoires additionnels.

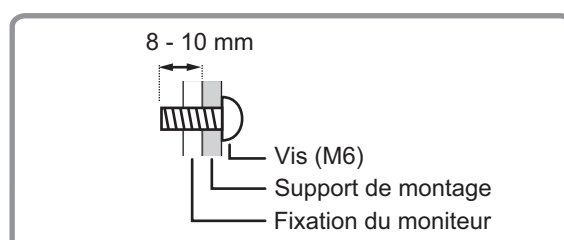
SHARP se réserve le droit d'apporter sans préavis des modifications à la présentation et aux caractéristiques des appareils aux fins d'amélioration. Les valeurs indiquées dans ce document sont les valeurs nominales des appareils de série mais de légères différences peuvent être constatées d'un appareil à l'autre.

Précautions pour le montage (À l'attention des revendeurs et techniciens SHARP)

- L'installation, le démontage ou le déplacement du moniteur doit être fait par 2 personnes ou plus.
- Veillez à utiliser un support mural conçu ou prévu pour la fixation du moniteur.
- Ce moniteur est prévu pour être installé sur un mur ou un pilier en béton. Un travail de renforcement pourrait s'avérer nécessaire pour certains matériaux tels que le plâtre, un mince panneau de plastique ou le bois avant de commencer l'installation.

Le mur sur lequel ce moniteur et le support doivent être installés doit pouvoir supporter, au moins, 4 fois son poids ou davantage. Installez de la manière qui convient le mieux en fonction du matériau et de la structure.

- Pour fixer un support de montage compatible avec VESA, utilisez des vis M6 de 8 mm à 10 mm plus longues que l'épaisseur du support de montage.

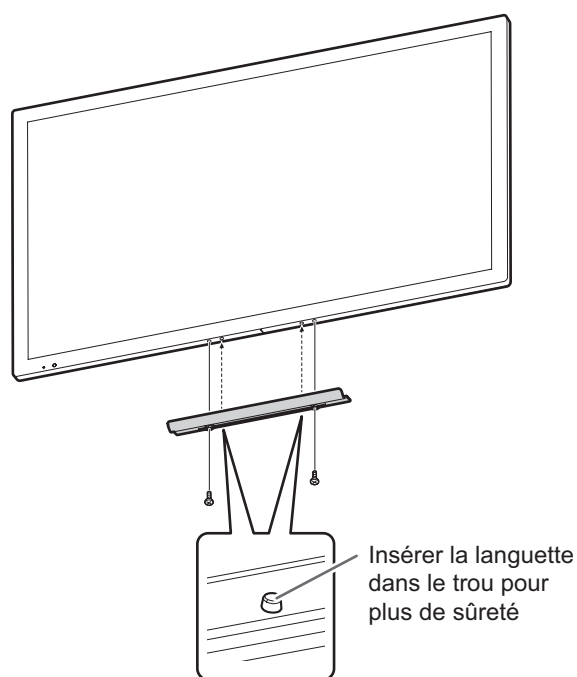


- N'utilisez pas de tournevis à percussion.
- Après le montage, assurez-vous que le moniteur est bien fixé au mur ou au support, sans risque de relâche.
- N'utilisez pas de trous de vis autres que les trous standard VESA pour l'installation.
- Lorsque vous déplacez le moniteur, assurez-vous de le saisir par sa périphérie. Ne le saisissez pas par l'écran ou le plateau. Ceci pourrait causer une panne, un dysfonctionnement ou une blessure.
- Si vous devez poser temporairement le moniteur sur une table ou une autre surface pendant l'installation, étalez un chiffon doux épais sur la table afin d'éviter d'endommager l'écran et la table.
- Avant de remballer ou de ranger le moniteur, retirez le plateau et le support.

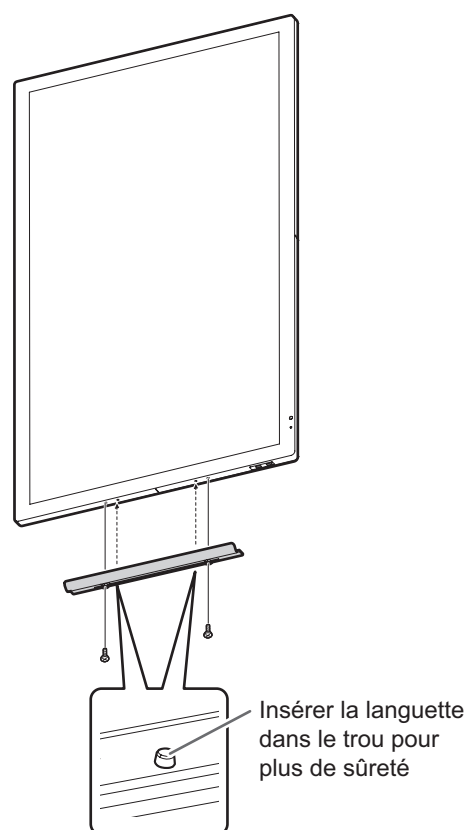
■ Fixation du plateau

Fixez le plateau en utilisant 2 vis de montage de plateau (M3) (fournies).

Orientation horizontale (paysage)



Orientation verticale (portrait)



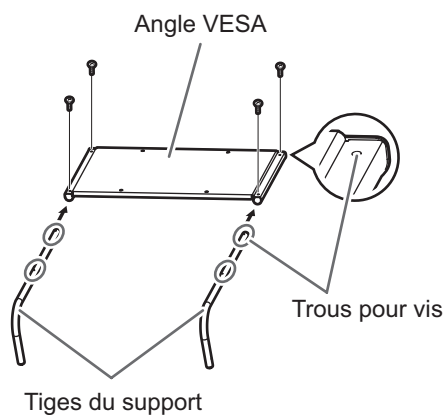
■ Fixez le support au moniteur

! Attention

- Ce support est destiné à une utilisation en orientation horizontale. Il ne peut être utilisé pour une orientation verticale.

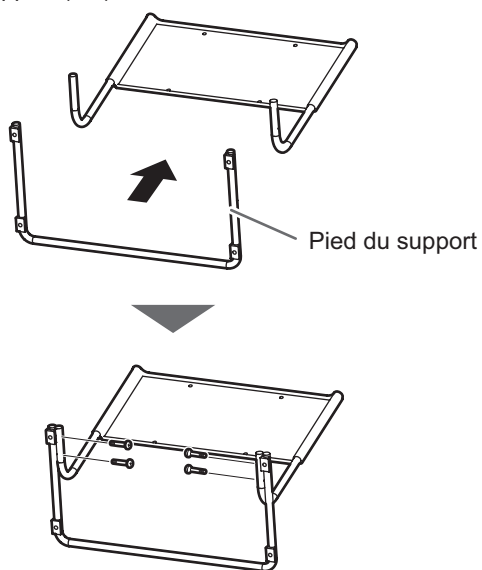
1. Fixez les tiges du support (x2) au support d'angle VESA.

Placez l'angle VESA avec les trous pour vis vers le haut comme indiqué ci-dessous. Fixez les barres de support à l'angle VESA et fixez-le avec 4 vis de montage du support (M3).



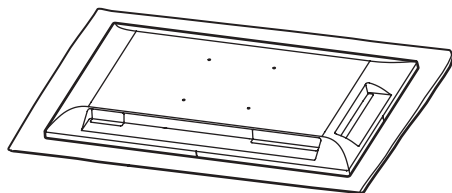
2. Fixez les pieds du support aux tige du support.

Retournez l'angle VESA et fixez les barres de support et les extrémités du pied du support avec 4 vis de montage du support (M4).



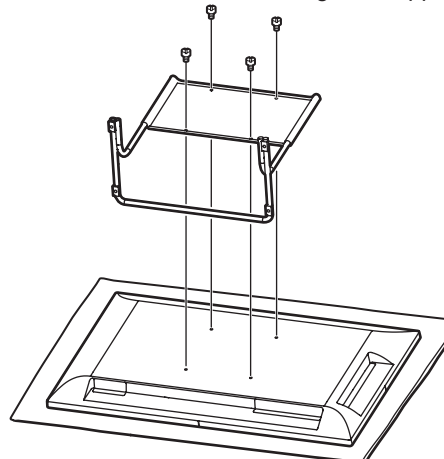
3. Sur une surface plane suffisamment grande pour supporter le moniteur, étendez un tissu épais et doux (couverture, etc.) pour éviter tout dommage au panneau LCD, et placez le moniteur en orientant le panneau LCD vers le bas sur ce tissu.

Placez le moniteur de sorte que sa partie inférieure arrive au bord de la table.



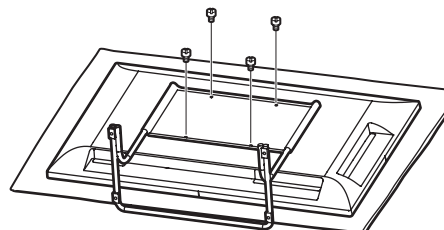
4. Fixez le support au moniteur.

Fixez à l'arrière avec 4 vis de montage du support (M6).



■ Démontage du support

1. Sur une surface plane suffisamment grande pour supporter le moniteur, étendez un tissu épais et doux (couverture, etc.) pour éviter tout dommage au panneau LCD, et placez le moniteur en orientant le panneau LCD vers le bas sur ce tissu.
2. Retirez les vis (x4) qui fixent le support, puis retirez le support.



3. Pour démonter le support, exécutez la procédure de montage en sens inverse.



Índice

[ESPAÑOL]

INFORMACIÓN IMPORTANTE.....1	Preparación de la Unidad de control remoto5
ESTIMADO CLIENTE DE SHARP1	Conexiones6
PRECAUCIONES DE SEGURIDAD2	Encendido/apagado7
INSTRUCCIONES DE SEGURIDAD3	Especificaciones.....8
PRECAUCIONES DE MONTAJE.....4	Precauciones de montaje
Componentes suministrados5	(para distribuidores y técnicos de servicio de SHARP) ...9

Lea los manuales que se encuentran en el CD-ROM provisto. (Se necesita Adobe Acrobat Reader para ver los manuales.)

INFORMACIÓN IMPORTANTE

ADVERTENCIA: PARA REDUCIR EL RIESGO DE INCENDIO O DESCARGAS ELÉCTRICAS, NO EXPONGA ESTE PRODUCTO A LA LLUVIA NI A LA HUMEDAD.

	PRECAUCIÓN	
	RIESGO DE DESCARGAS ELÉCTRICAS NO ABRIR	
<p>PRECAUCIÓN: PARA REDUCIR EL RIESGO DE DESCARGAS ELÉCTRICAS, NO RETIRE LA TAPA. EN EL INTERIOR NO HAY PIEZAS QUE EL USUARIO PUEDA REPARAR. SOLICITE CUALQUIER REPARACIÓN A UN TÉCNICO DE SERVICIO CALIFICADO.</p>		



El símbolo del rayo con cabeza de flecha dentro de un triángulo está concebido para avisar al usuario de la presencia de "tensión peligrosa" sin aislamiento en el interior del producto que podría ser de magnitud suficiente para constituir un riesgo de descargas eléctricas a las personas.



El símbolo de exclamación dentro de un triángulo está concebido para avisar al usuario de la presencia de instrucciones importantes de uso y mantenimiento (servicio) en la documentación que acompaña al producto.

ADVERTENCIA:

La normativa de la FCC establece que cualquier cambio o modificación no autorizados en este equipo y no aprobados expresamente por el fabricante podrían anular el derecho del usuario a utilizar el equipo.

NOTA:

Este equipo ha sido probado y funciona conforme a los límites para dispositivos digitales de la Clase A, de acuerdo con la Parte 15 de la normativa de la FCC. Dichos límites están diseñados para proporcionar una protección razonable frente a interferencias nocivas cuando se utilice el equipo en un entorno comercial. Este equipo genera, utiliza y puede irradiar energía de radiofrecuencia y, si no se instala y usa de acuerdo con el manual de instrucciones, puede causar interferencias molestas en las comunicaciones de radio. El empleo de este equipo en zonas residenciales puede provocar interferencias molestas, en cuyo caso el usuario deberá corregir dichas interferencias por su cuenta.

EE.UU. SÓLO

ESTIMADO CLIENTE DE SHARP

Gracias por adquirir un producto LCD de SHARP. Para garantizar la seguridad y muchos años de funcionamiento sin problemas, lea atentamente las Precauciones de seguridad antes de utilizar este producto.

ESPAÑOL



PRECAUCIONES DE SEGURIDAD

La electricidad se emplea para muchas funciones útiles pero también puede causar lesiones personales y daños en la propiedad si se manipula de forma inadecuada. Este producto se ha diseñado y fabricado poniendo el máximo énfasis en la seguridad. No obstante, el uso inadecuado podría tener como resultado descargas eléctricas y/o incendios. Para evitar peligros potenciales, observe las siguientes instrucciones cuando instale, utilice y limpie el producto. Para garantizar su seguridad y prolongar la vida de servicio de su producto de LCD, lea atentamente las siguientes precauciones antes de usar el producto.

1. Lea las instrucciones — Todas las instrucciones operativas deberán leerse y comprenderse antes de utilizar el producto.
2. Mantenga este manual en un lugar seguro — Estas instrucciones de seguridad y operativas deberán guardarse en un lugar seguro para referencia en el futuro.
3. Tenga en cuenta las advertencias — Todas las advertencias e instrucciones del producto deberán observarse estrictamente.
4. Respete las instrucciones — Deberán respetarse todas las instrucciones operativas.
5. Limpieza — Desenchufe el cable de alimentación de la toma de alimentación de corriente antes de limpiar el producto. Utilice un paño seco para limpiar el producto. No emplee limpiadores líquidos ni aerosoles. No utilice paños sucios. Si lo hace puede dañar el producto.
6. Accesorios — No utilice accesorios no recomendados por el fabricante. El empleo de accesorios inadecuados podría provocar accidentes.
7. Agua y humedad — No utilice el producto cerca del agua. No instale este producto en lugares donde puedan producirse salpicaduras de agua. Preste especial atención a equipos que drenen agua, por ejemplo los de aire acondicionado.
8. Ventilación — Los respiraderos y otras ranuras de la caja están diseñados para ventilación. No cubra ni bloquee dichos respiraderos y ranuras, ya que la ventilación insuficiente podría provocar sobrecalentamiento y/o acortar la vida operativa del producto. No coloque el producto sobre un sofá, una alfombra u otras superficies similares ya que se podrían bloquear las ranuras de ventilación. No coloque el producto en un lugar cerrado como, por ejemplo, una librería o una estantería, a menos que se proporcione una ventilación adecuada o se respeten las instrucciones del fabricante.
9. Protección del cable de alimentación — Los cables de alimentación deberán ubicarse adecuadamente para evitar que las personas puedan tropezar con ellos o que los objetos puedan descansar sobre éstos.
10. La pantalla usada en este producto está hecha de vidrio. Consiguientemente, podría romperse si el producto cae al suelo o recibe un golpe. Tenga cuidado de no herirse con pedazos de vidrio roto en caso que se rompa la pantalla.
11. Sobrecarga — No sobrecargue las tomas de corriente ni los cables alargadores o regletas. La sobrecarga podría provocar incendios o descargas eléctricas.
12. Introducción de objetos y líquidos — No inserte nunca objetos en el producto a través de los respiraderos o las ranuras de ventilación. El producto tiene altas tensiones en su interior y la inserción de objetos podría provocar descargas eléctricas y/o cortocircuitar los componentes internos.
Por la misma razón, no derrame agua o líquidos sobre el producto.
13. Servicio — No intente reparar usted mismo el producto. La retirada de las tapas podría exponerle a alto voltaje y otras circunstancias peligrosas. Solicite cualquier reparación a un técnico de servicio calificado.
14. Reparación — Si se produjera cualquiera de las circunstancias siguientes, desenchufe el cable de alimentación de la toma de corriente y solicite la reparación a un técnico de servicio calificado.
 - a. Cuando el cable de alimentación o el enchufe esté dañado.
 - b. Cuando se haya derramado un líquido sobre el producto o hayan caído objetos al interior del producto.
 - c. Cuando se haya expuesto el producto a la lluvia o al agua.
 - d. Cuando el producto no funcione correctamente según lo descrito en las instrucciones operativas. No toque ningún control aparte de los descritos en las instrucciones de uso. El ajuste inadecuado de controles no descritos en las instrucciones podría provocar daños, lo que a menudo requiere un trabajo importante de ajuste por parte de un técnico calificado.
 - e. Cuando el producto haya caído al suelo o se haya dañado.
 - f. Cuando el producto presente un estado anormal. Cualquier anomalía perceptible en el producto indicará que éste necesita servicio.
15. Repuestos — En caso de que el producto necesite repuestos, asegúrese de que el técnico de servicio utiliza las piezas de sustitución especificadas por el fabricante, o unas con las mismas características y rendimiento que las piezas originales. El uso de piezas no autorizadas podría tener como resultado incendio, descargas eléctricas y/u otros daños.
16. Comprobaciones de seguridad — Tras la finalización del trabajo de servicio o reparación, solicite al técnico de servicio que lleve a cabo comprobaciones de seguridad para asegurarse de que el producto se encuentra en perfectas condiciones de funcionamiento.
17. Montaje mural — Cuando monte el producto sobre una pared, asegúrese de instalarlo de acuerdo con el método recomendado por el fabricante.
18. Fuentes de calor — Mantenga el producto alejado de fuentes de calor como pueden ser radiadores, calentadores, estufas y otros productos que generen calor (incluyendo amplificadores).
19. Pilas — El uso incorrecto de las pilas podría causar la explosión o ignición de las mismas. Las fugas de las pilas pueden oxidar el equipo y ensuciarle las manos o la ropa. Para evitar estos problemas, asegúrese de observar las siguientes precauciones:
 - Utilice únicamente las pilas especificadas.
 - Instale las pilas con la polaridad apropiada de las mismas (+) y (-) de acuerdo con las indicaciones del compartimento.
 - No mezcle pilas viejas y nuevas.
 - No mezcle pilas de distintos tipos. Las especificaciones de voltaje de pilas con la misma forma pueden variar.
 - Sustituya las pilas gastadas por unas nuevas a la mayor brevedad.
 - Extraiga las pilas si no piensa utilizar el control remoto durante un período de tiempo prolongado.
 - Si el líquido de pilas con fugas entrara en contacto con la piel o la ropa, lave inmediatamente con agua abundante. Si le entrara en los ojos, láveselos abundantemente sin frotar y acuda inmediatamente al médico. El contacto de líquido de las pilas con los ojos o la ropa podría causar irritación de la piel o daños oculares.
20. El monitor no deberá utilizarse en lugares con riesgos o peligros fatales que pudieran provocar directamente la muerte, lesiones personales, daños físicos graves u otras pérdidas, incluyendo control de reacción nuclear en instalaciones nucleares, sistemas médicos de soporte vital y control de lanzamiento de misiles en sistemas armamentísticos.

21. No permanezca en contacto durante períodos prolongados de tiempo con componentes del producto que se recalienten. Podrían producirse quemaduras de baja temperatura.
22. No modifique este producto.

ADVERTENCIA:

Este es un producto Clase A. En un entorno doméstico este producto puede causar interferencias de radio en cuyo caso será necesario que el usuario adopte las medidas pertinentes.
Un dispositivo de fabricación CLASE I deberá conectarse a una toma de corriente principal con una unión a tierra.

Para mantener la conformidad con la normativa sobre compatibilidad electromagnética (EMC), utilice cables blindados para la conexión a los siguientes terminales: terminal de entrada HDMI, terminal de entrada D-sub, terminal de entrada DisplayPort y terminal de entrada RS-232C.

Si el monitor no se coloca en una ubicación lo suficientemente estable, podría resultar potencialmente peligroso debido al riesgo de caída. Muchas lesiones, especialmente a los niños, pueden evitarse adoptando precauciones sencillas como pueden ser:

- Utilizar dispositivos de fijación como pueden ser soportes de montaje mural recomendados por el fabricante.
- Emplear únicamente muebles que puedan soportar de forma segura el monitor.
- Asegurarse de que el monitor no sobresale del borde del mueble que sirve de apoyo.
- No colocar el monitor sobre muebles altos (por ejemplo, armarios o librerías) sin anclar el mueble y el monitor a un soporte adecuado.
- No colocar los monitores sobre paños u otros materiales ubicados entre el monitor y el mueble de apoyo.
- Educar a los niños sobre los peligros de trepar a los muebles para llegar al monitor o a sus controles.
- Este equipo no es adecuado para su uso en lugares en los que sea probable que los niños puedan estar sin la supervisión de un adulto.

Especialmente para la seguridad de los niños

- No permita que los niños trepen al monitor o jueguen con éste.
- No coloque el monitor sobre muebles que se puedan usar como peldaños, como pueden ser los cajones de una cómoda.
- Recuerde que los niños se pueden agitar mientras ven un programa, especialmente en un monitor en el que las cosas se ven "más grandes que en la vida real". Deberá tenerse cuidado de colocar o instalar el monitor en lugares en los que no se pueda empujar, mover o tirar al suelo.
- Deberá procurarse enrutar todos los cables conectados al monitor de modo que los niños curiosos no puedan tirar de ellos ni agarrarlos.

INSTRUCCIONES DE SEGURIDAD

- No emplee el monitor en lugares con un nivel elevado de polvo o humedad ni donde éste pueda entrar en contacto con aceite o vapor. Tampoco lo utilice en un entorno en el que haya gases corrosivos (dióxido de azufre, sulfuro de hidrógeno, dióxido de nitrógeno, cloro, amoníaco, ozono, etc.), ya que esto podría provocar un incendio.
- Asegúrese de que el monitor no entre en contacto con agua ni otros líquidos. Asegúrese de no introducir en el monitor objetos como pueden ser clips o chinchetas, ya que esto podría causar incendios o descargas eléctricas.
- No coloque el monitor encima de objetos inestables ni en lugares inseguros. No permita que el monitor reciba golpes fuertes ni que vibre demasiado. La caída o pérdida de equilibrio del monitor podría dañarlo.
- No utilice el monitor cerca de aparatos de calefacción ni en lugares donde puedan existir temperaturas elevadas, ya que esto podría conducir a la generación de calor excesivo y provocar un incendio.
- No utilice el monitor en lugares en los que pueda estar expuesto a la luz solar directa. Existe riesgo de que la caja se deforme o de que se produzca un fallo de funcionamiento si se utiliza el monitor bajo la luz solar directa.
- Asegúrese de limpiar periódicamente el polvo y la suciedad adheridos a los respiraderos. Si se acumulara polvo en los respiraderos o en el interior del monitor, podría producirse recalentamiento excesivo, un incendio o fallos de funcionamiento. Solicite la limpieza del interior del monitor a un distribuidor o servicio técnico autorizado de SHARP.
- La toma de corriente deberá estar instalada cerca del equipo y ser accesible fácilmente.
- No use la pantalla con un objeto puntiagudo o duro como una uña o lápiz.

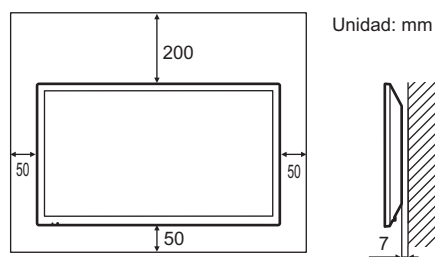
Cable de alimentación

- Emplee únicamente el cable de alimentación suministrado con el monitor.
- No dañe el cable de alimentación ni coloque objetos pesados sobre el mismo. No lo estire ni lo doble excesivamente. Tampoco añada cables alargadores ni regletas. Si el cable se daña, podrían producirse incendios o descargas eléctricas.
- No utilice el cable de alimentación con una regleta. La adición de un cable alargador o una regleta podría causar un incendio por sobrecalentamiento.
- No retire ni inserte el enchufe con las manos mojadas. Podrían producirse descargas eléctricas.
- Desenchufe el cable de alimentación si no piensa utilizar el equipo durante un período de tiempo prolongado.
- No intente reparar el cable de alimentación si éste está roto o no funciona adecuadamente. Solicite cualquier reparación al representante de servicio técnico autorizado.

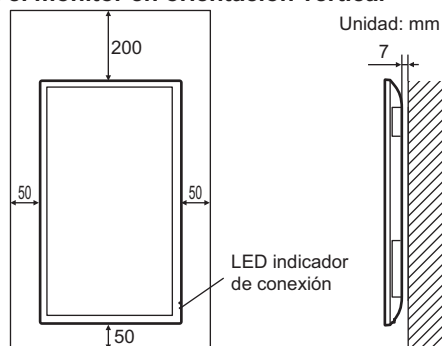
PRECAUCIONES DE MONTAJE

- Este producto es para uso en interiores.
- Si utiliza una base o un soporte de montaje disponibles en el mercado, use una base o un soporte de montaje en conformidad con las especificaciones VESA.
- Este monitor es pesado. Por consiguiente, consulte a su distribuidor antes de instalar, desinstalar o trasladar el monitor.
- El montaje mural del monitor requiere un soporte especial y el trabajo deberá ser efectuado por un distribuidor autorizado de SHARP. Nunca deberá intentar realizar este trabajo usted mismo. Nuestra empresa no se hace responsable en caso de accidentes o lesiones causados por un montaje o una manipulación inadecuados.
- Utilice el monitor perpendicular a una superficie nivelada. Si fuera necesario, el monitor podrá inclinarse un máximo de 20 grados hacia arriba.
- Cuando traslade el monitor, asegúrese de sujetarlo alrededor de la periferia. No agarre la pantalla ni la bandeja. Esto podría provocar daños en el producto, fallos o lesiones.
- Este monitor deberá utilizarse a una temperatura ambiente de entre 5 y 35°C. Proporcione espacio suficiente alrededor del monitor para evitar que el calor se acumule en su interior.

Para el monitor en orientación horizontal

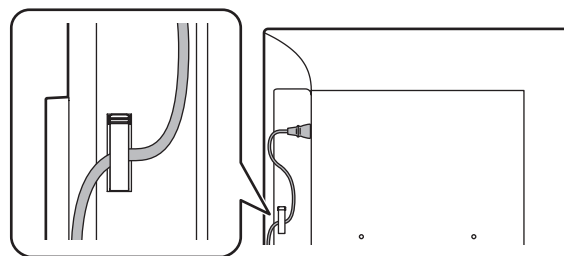


Para el monitor en orientación vertical

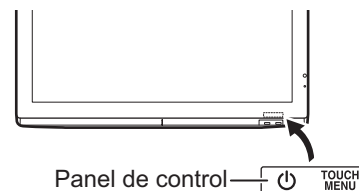


- Si fuera difícil proporcionar suficiente espacio por cualquier razón, como puede ser la instalación del monitor dentro de una carcasa, o si la temperatura ambiente pudiera estar fuera del rango de 5 a 35°C, instale un ventilador o adopte otras medidas para mantener la temperatura ambiente dentro del rango necesario.
- En el caso de instalar dos o más monitores uno al lado del otro, deje un espacio de al menos 5 mm alrededor de los mismos, con el fin de evitar que la unidad o estructura adyacente quede expuesta a una tensión causada por la expansión térmica.
- No bloquee ninguna ranura de ventilación. Si la temperatura del interior del monitor aumentara, podrían producirse malfuncionamientos.
- No coloque el monitor sobre un dispositivo que genere calor.

- Respete lo siguiente cuando instale el monitor en orientación vertical. El incumplimiento de las siguientes medidas podría provocar malfuncionamientos.
 - Instale el monitor de modo que el LED indicador de conexión quede ubicado en la parte inferior.
 - Establezca la opción PORTRAIT/LANDSCAPE INSTALL <INST. MODO VERTIC./HORIZ.> del menú MONITOR en PORTRAIT <MODO VERTICAL>. (Véase el MANUAL DE INSTRUCCIONES.)
 - Asegúrese de sujetar el cable de alimentación (suministrado) utilizando la abrazadera de cable suministrada (tipo de fijación). Cuando apriete el cable de alimentación, tenga cuidado de dañar el terminal del cable de alimentación. No doble excesivamente el cable de alimentación.



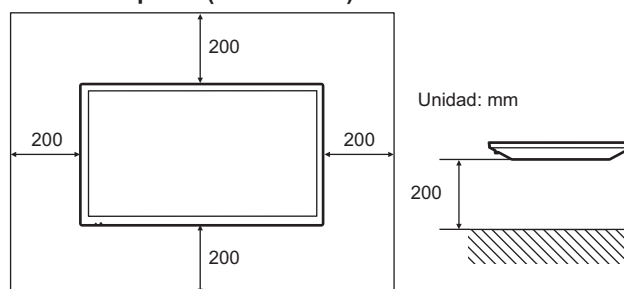
- Utilice la etiqueta vertical suministrada cuando instale el monitor en orientación vertical.



Instalación plana

- Si el monitor se utiliza en posición inclinada sobre una superficie (si el monitor se inclina 20 grados o más hacia arriba de la perpendicular con respecto a una superficie plana), consulte a un distribuidor autorizado de SHARP porque existen algunas condiciones de montaje específicas. Observe las siguientes indicaciones. La inobservancia de las siguientes indicaciones puede causar fallos de funcionamiento.
 - Ajuste HORIZONTAL INSTALLATION <INSTALAR MODO HORIZONTAL> en el menú MONITOR a UPWARD <ASCENDENTE>. (Véase el MANUAL DE INSTRUCCIONES.)
 - Utilice el monitor a temperatura ambiente, dentro de un rango de entre 5 °C y 30 °C. Deje un espacio de 200 mm o más entre el monitor y el techo u otras superficies de montaje y los objetos circundantes para evitar que el calor se acumule en el interior. Si resultase difícil dejar un espacio suficiente o si la temperatura ambiente estuviese fuera del rango de entre 5 °C y 30 °C, instale un ventilador o adopte otras medidas para mantener la temperatura ambiente dentro del rango requerido.
 - No presione con fuerza el panel LCD ni lo someta a ningún golpe.

Instalación plana (ascendente)



Componentes suministrados

Si falta algún componente, póngase en contacto con su distribuidor.

- | | | | |
|--|--|---|--|
| <input type="checkbox"/> Monitor de pantalla de cristal líquido: 1 | <input type="checkbox"/> Bandeja: 1 | <div style="border: 1px solid black; padding: 5px;"><p>Base</p><input type="checkbox"/> Varilla de la base: 2</div> | |
| <input type="checkbox"/> Control remoto: 1 | <input type="checkbox"/> Tornillo de montaje de la bandeja/
tornillo de soporte para cámara (M3): 2 de cada | | <input type="checkbox"/> Pata de la base: 1 |
| <input type="checkbox"/> Abrazadera para cable: 3 | <input type="checkbox"/> Cable USB: 1 | | <input type="checkbox"/> Ángulo VESA: 1 |
| <input type="checkbox"/> Cable de alimentación: 1 | <input type="checkbox"/> Soporte para cámara: 1 | | <input type="checkbox"/> Tornillo de montaje de la base
(M3/M4/M6): 4 de cada |
| <input type="checkbox"/> Pila del control remoto
(R-03 (tamaño "AAA")): 2 | <input type="checkbox"/> Tornillo para cámara (rosca en pulgadas): 1 | | |
| <input type="checkbox"/> CD-ROM (Disco de utilidades): 1 | <input type="checkbox"/> Etiqueta con logotipo: 1 | | |
| <input type="checkbox"/> Licencia de SHARP Display Connect: 1 | <input type="checkbox"/> Etiqueta vertical (Panel de control): 1 | | |
| <input type="checkbox"/> Manual de Instalación (este manual): 1 | | | |
| <input type="checkbox"/> Lápiz táctil: 1 | | | |
| | | | |
| | | | |
| | | | |

* SHARP Corporation posee los derechos de autor del programa Disco de utilidades. No lo reproduzca sin permiso.

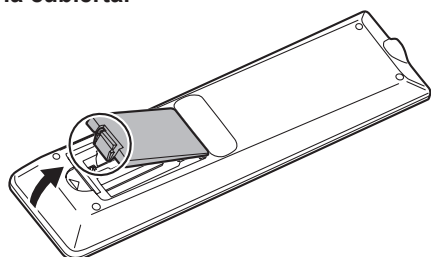
* ¡Para protección medioambiental!

No vierta las pilas en la basura doméstica. Respete la normativa de vertido local.

Preparación de la Unidad de control remoto

Instalación de las pilas

1. Coloque el dedo en la pieza marcada con ▲, luego separe la cubierta.



2. Consulte las indicaciones del compartimento y coloque las pilas (R-03 (tamaño "AAA") x 2) con la polaridad (+) y (-) correcta.

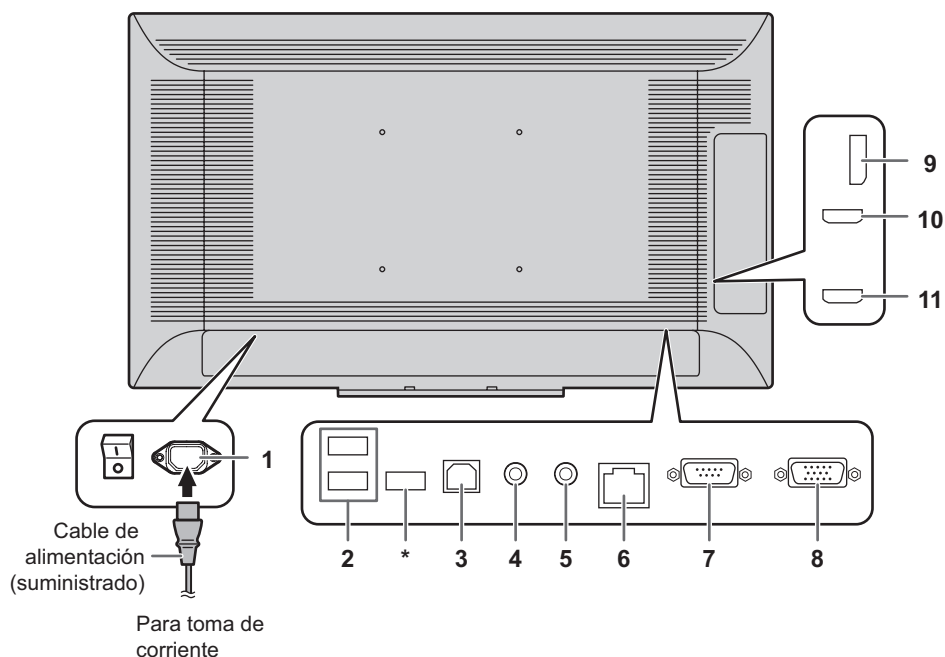
3. Cierre la tapa.

ESPAÑOL

Conexiones

!Precaución

- Asegúrese de apagar el interruptor primario y desconectar el enchufe de la toma de corriente antes de conectar/desconectar los cables. Asimismo, lea el manual del equipo que desea conectar.
- Tenga cuidado de no confundir el terminal de entrada con el terminal de salida al conectar los cables. La inversión accidental de los cables conectados a los terminales de entrada y salida podría causar malfuncionamientos y otros problemas.



1. Terminal de entrada de corriente
2. Puerto USB
3. Puerto USB (para panel sensible al tacto)
4. Terminal de salida de Audio
5. Terminal de entrada Audio
6. Terminal de LAN
7. Terminal de entrada RS-232C

8. Terminal de entrada D-sub
9. Terminal de entrada DisplayPort
10. Terminal de entrada HDMI1
11. Terminal de entrada HDMI2

* Terminal para actualización del firmware
Normalmente no se utiliza.

CONSEJOS

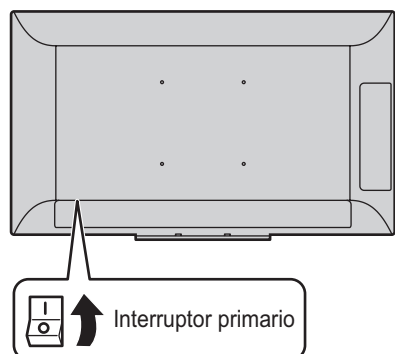
- Para utilizar el panel táctil, conéctelo al ordenador con el cable USB suministrado.
- Pen Software puede instalarse desde el CD-ROM suministrado.
- Si está instalada la Information Display Downloader, podrá consultar y descargar las versiones más recientes de los programas de software.
- Para instalar y usar el software, consulte el manual correspondiente.
- Descargue el programa de instalación para el SHARP Display Connect y Touch Viewer con la Information Display Downloader.
- Los términos HDMI y HDMI High-Definition Multimedia Interface y el logotipo de HDMI son marcas registradas de HDMI Licensing, LLC, en EE. UU. y otros países.
- DisplayPort es una marca registrada de Video Electronics Standards Association.
- Adobe, Acrobat y Acrobat Reader son marcas registradas o comerciales de Adobe Systems Incorporated en los Estados Unidos y/o en otros países.

Encendido/apagado

!Precaución

- Una vez realizadas todas las conexiones, conecte la alimentación.
- Encienda el monitor antes de encender el ordenador o el dispositivo de reproducción.
- Cuando apague el interruptor primario o el botón POWER y lo vuelva a encender, espere siempre 5 segundos como mínimo. Un intervalo demasiado corto podría provocar malfuncionamientos.

Encendido de la alimentación principal

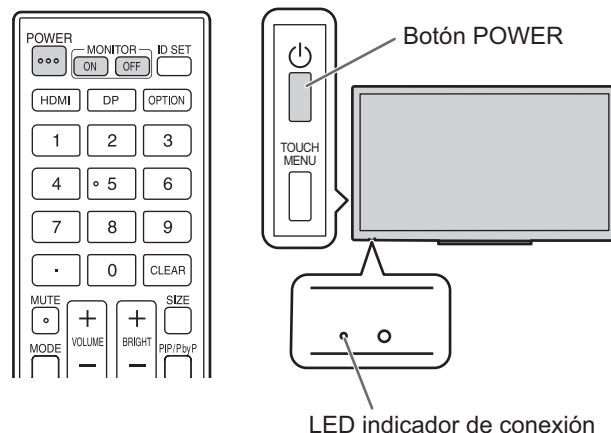


!Precaución

- La alimentación principal deberá encenderse/apagarse con el interruptor primario. No conecte/desconecte el cable de alimentación ni active/desactive el disyuntor mientras el interruptor primario está encendido.
- Para la desconexión eléctrica completa, desconecte el enchufe principal.

Encendido/apagado

Pulse el botón POWER para encender/apagar. También puede encender/apagar la alimentación pulsando el botón MONITOR ON/botón MONITOR OFF de la control remoto.



Estado	Estado del monitor
Encendido de verde	Alimentación encendida
Encendido de naranja	Alimentación apagada (modo en espera)
Parpadeo en verde	Modo de espera de señal de entrada

CONSEJOS

- Cuando el interruptor primario está apagado, el monitor no funcionará.

Especificaciones

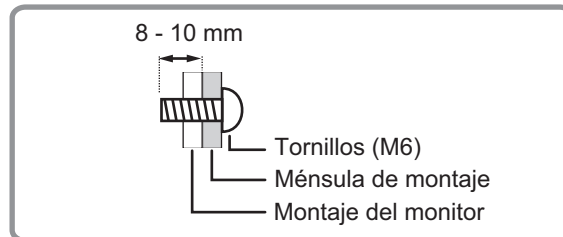
Modelo	PN-L401C
Requisitos de alimentación	100 V - 240 V ca, 1,0 A, 50/60 Hz
Temperatura de funcionamiento *	5°C a 35°C
Humedad de funcionamiento	20% al 80% (sin condensación)
Consumo de energía (Máxima)	89 W
Dimensiones (excluidas las protuberancias)	(mm) Aprox. 939 (An) x 65 (Pr) x 546 (Al)
Peso	(kg) Aprox. 17,5

- * Cuando use la pantalla acostada sobre una superficie (cuando la pantalla esté inclinada más de 20 grados hacia arriba de la perpendicular en relación a una superficie nivelada), use la pantalla a una temperatura entre 5 °C y 30 °C.
Las condiciones de temperatura podrían cambiar al utilizar el monitor conjuntamente con los equipos opcionales recomendados por SHARP.
En dichos casos, compruebe las condiciones de temperatura especificadas por los equipos opcionales.

Como parte de la política de mejoras continuas, SHARP se reserva el derecho de realizar cambios en el diseño y especificaciones para la mejora del producto sin previo aviso. Las figuras indicadas que especifican el rendimiento son valores nominales de los aparatos de producción. Puede haber algunas desviaciones de estos valores en los aparatos individuales.

Precauciones de montaje (para distribuidores y técnicos de servicio de SHARP)

- Cuando instale, desinstale o traslade el monitor, asegúrese de sujetarlo entre 2 personas como mínimo.
- Asegúrese de utilizar un soporte de montaje mural diseñado para la instalación del monitor.
- Este monitor está diseñado para su instalación sobre un muro o pilar de hormigón. Tal vez resulte necesario realizar un trabajo de refuerzo para ciertos materiales como pueden ser yeso, paneles de plástico finos o madera antes de iniciar la instalación. Este monitor y el soporte deberán instalarse en una pared con una resistencia de al menos 4 veces el peso del monitor. Realice la instalación mediante el método más adecuado para el material y la estructura.
- Para colocar una ménsula de montaje compatible con VESA, use tornillos M6 que sean 8 mm a 10 mm más largos que la ménsula de montaje.

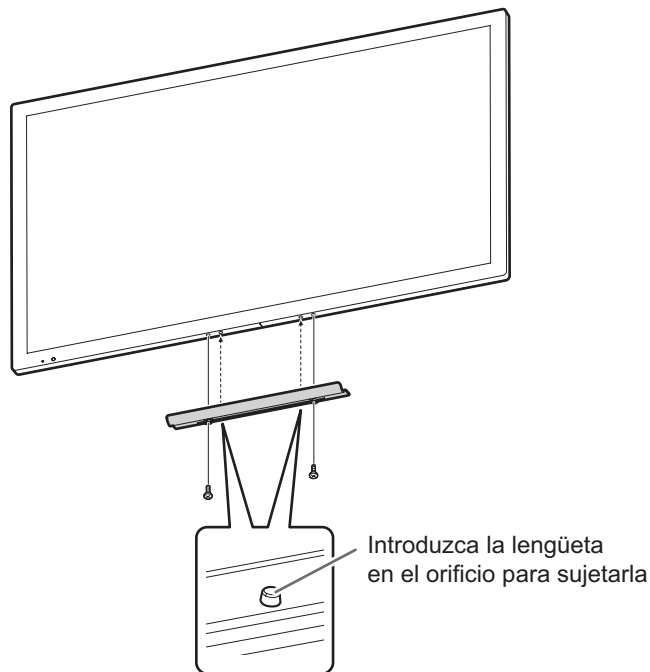


- No utilice un destornillador de impacto.
- Una vez efectuado el montaje, asegúrese de que el monitor está instalado de forma segura y que no se puede aflojar de la pared o el soporte.
- No utilice orificios de tornillos que no sean orificios VESA para la instalación.
- Cuando traslade el monitor, asegúrese de sujetarlo alrededor de la periferia. No agarre la pantalla ni la bandeja. Esto podría provocar daños en el producto, fallos o lesiones.
- Si necesita colocar el monitor provisionalmente sobre una mesa u otra superficie durante la instalación, coloque un paño suave y grueso sobre la mesa para evitar dañar la pantalla y la mesa.
- Antes de volver a embalarlo o retirarlo, extraiga la bandeja y la base.

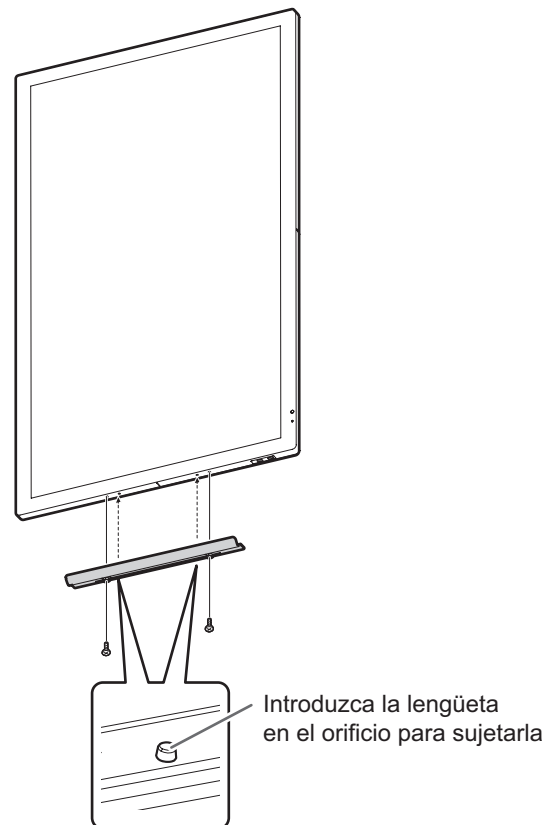
■ Colocación de la bandeja

Asegure la bandeja usando 2 tornillos de montaje de la bandeja (M3) (suministrados).

Orientación horizontal



Orientación vertical

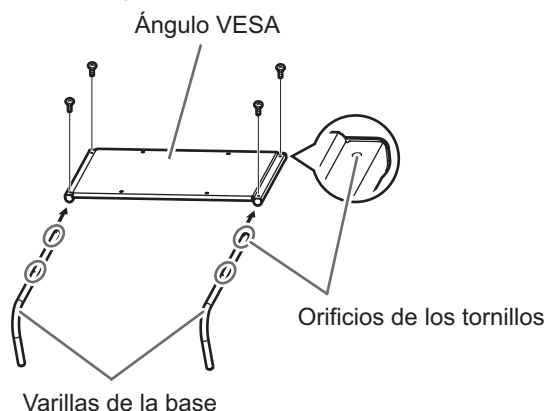


■ Fije la base al monitor

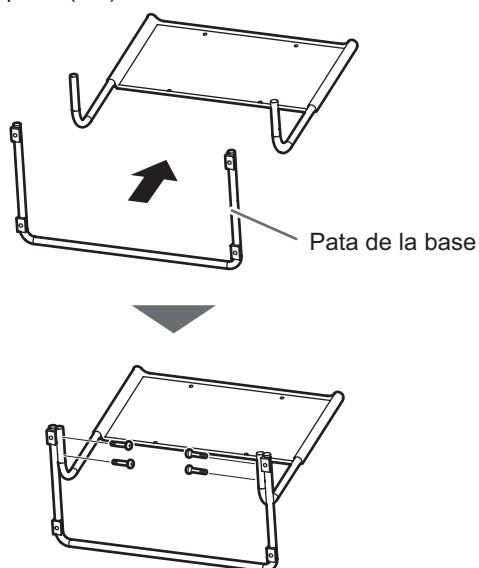
! Precaución

- El pedestal se utiliza en orientación horizontal. No puede usarse en orientación vertical.

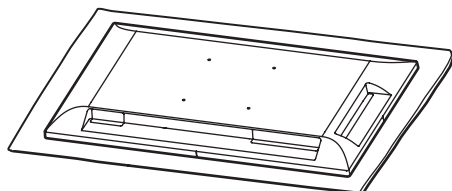
1. **Fije las varillas de la base (x2) al soporte del ángulo VESA.**
Coloque el ángulo VESA con los orificios de los tornillos mirando hacia arriba tal como se muestra a continuación. Sujete las varillas del soporte al ángulo VESA y fíjelo con 4 tornillos de sujeción del soporte (M3).



2. **Fije la pata de la base a los varillas de la base.**
Voltee el ángulo VESA y fije las varillas del soporte y los extremos de la pata del soporte con 4 tornillos de sujeción del soporte (M4).

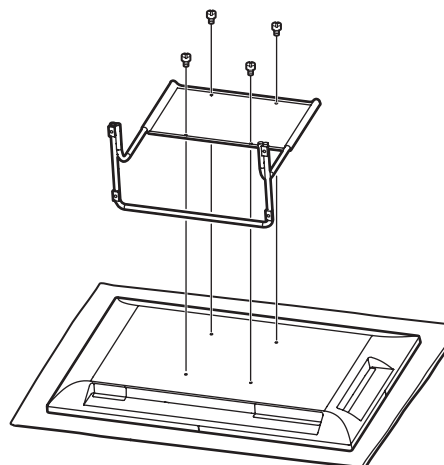


3. **Extienda un tejido grueso y suave (manta, etc.), para que no se deteriore el panel LCD, sobre una superficie plana donde quepa todo el monitor y coloque el monitor con el panel LCD orientado hacia abajo encima del tejido.**
Colóquelo de modo que la parte inferior del monitor quede en el borde de la mesa.



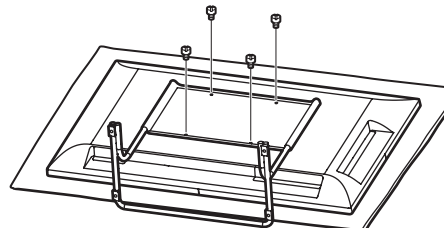
4. **Fije la base al monitor.**

Sujételos desde la parte trasera con 4 tornillos de sujeción del soporte (M6).



■ Desmontaje de la base

1. **Extienda un tejido grueso y suave (manta, etc.), para que no se deteriore el panel LCD, sobre una superficie plana donde quepa todo el monitor y coloque el monitor con el panel LCD orientado hacia abajo encima del tejido.**
2. **Retire los tornillos (x4) que sujetan la placa de unión, y retire la placa de unión.**



3. **Realice a la inversa el procedimiento de montaje de la base para desmontar la base.**

MEMO

A large, empty rectangular box with rounded corners, intended for writing a memo. The box is defined by a thin black border and occupies most of the page's vertical space. It is currently blank, with no text or markings inside.

MEMO

A large, empty rectangular box with rounded corners, intended for writing a memo. The box is centered on the page and occupies most of the vertical space below the 'MEMO' header.



SHARP[®]
SHARP CORPORATION

Printed in China
Imprimé en Chine
Impreso en China

3A2248F00-000-G (1)